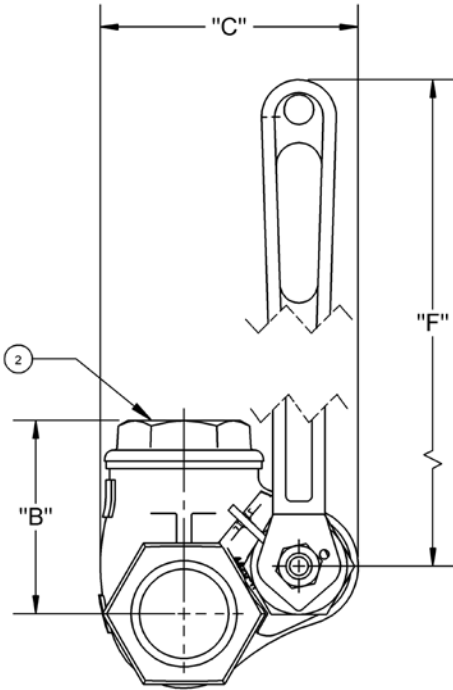
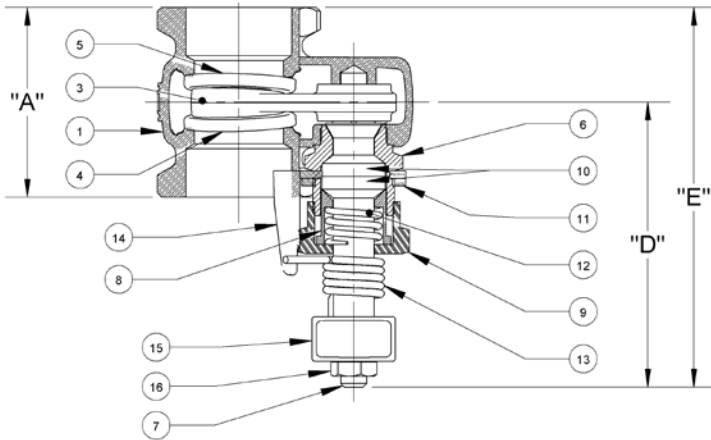


# P900 1"-3"

**Bronze Gate Valve**  
**150 SWP - 300 WOG †**  
**Quick Opening • Self Closing**  
**Lever Operated • Double Disc • Threaded Ends**



MATERIAL LIST			
No.	PART	MATERIAL	SPECIFICATION
1	Body	Bronze	ASTM B62
2	Cap	Bronze	ASTM B62
3	Lever	Bronze	ASTM B62
4	Male Disc	Brass	ASTM B16
5	Female Disc	Brass	ASTM B16
6	Bonnet	Bronze	ASTM B62
7	Stem	Brass	ASTM B16
8	Gland	Brass	ASTM B16
9	Packing Nut	Bronze	ASTM B62
10	Packing	Graphite	
11	Locknut Bracket	Bronze	ASTM B16
12	Gland Spring	Steel	
13	Spring, Torsion	Steel	
14	Spring Bracket	Bronze	ASTM B62
15	Handle Lever, Drilled	Mall. Iron	
16	Handle Nut	Steel	



DIMENSIONS - INCHES/MILLIMETERS							
Units	Size	A	B	C	D	E	F
Inches	1	2.50	2.38	3.37	4.31	5.56	7.00
mm		64	60	86	109	141	178
Inches	1 1/4	2.88	2.81	3.84	4.44	5.88	8.19
mm		73	71	98	113	149	208
Inches	1 1/2	3.18	3.25	4.34	4.79	6.38	10.50
mm		81	83	110	122	162	270
Inches	2	3.75	4.12	5.31	5.41	7.28	10.50
mm		95	105	135	137	165	267
Inches	2 1/2	4.25	4.50	5.94	5.47	7.59	11.51
mm		108	114	151	139	193	292
Inches	3	4.75	5.63	7.02	5.59	7.97	11.50
mm		121	143	178	142	202	292

† Non-Shock

Note: Not intended for use in potable water.

**INNOVATION** IN EVERY VALVE



The information presented on this sheet is correct at the time of publication. Milwaukee Valve reserves the right to change design, and/or material specifications without notice. For the Installation, Operation and Maintenance Manual (IOM) see the Technical/Service Information section on our website. For the most current information access [www.milwaukeevalve.com](http://www.milwaukeevalve.com)

**MILWAUKEE VALVE**