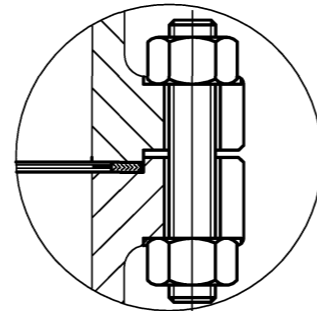


Body-Bonnet Connection

(≤2")



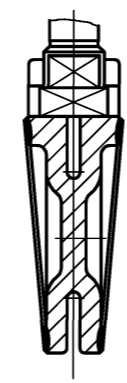
UNIT:mm	SIZE	L	W	d	G	C	D	T	b	n-d1	H(open)	H(close)
	1/2"	108	100	15	35	60.5	89	3.2	9.7	4-15	234	207
	3/4"	117	100	19	43	70	99	3.6	10.5	4-15	234	207
	1"	127	120	25	51	79.5	108	4.1	11.2	4-15	253	220
	1-1/2"	165	160	38	73	98.5	127	4.9	14.3	4-15	295	248
	2"	178	180	51	92	120.5	152	5.6	15.9	4-19	349	290
	2-1/2"	190	180	64	105	139.5	178	5.9	17.6	4-19	410	335
	3"	203	200	76	127	152.5	190	6.1	19.1	4-19	474	386
	4"	229	250	102	157	190.5	229	6.7	23.9	8-19	560	445
	6"	267	250	152	216	241.5	279	7.2	25.4	8-22	757	591
	8"	292	350	203	270	298.5	343	8.2	28.3	8-22	950	730

APPLICABLE STANDARDS & TECHNICAL NOTES:

Design: API 603, ASME B16.34	Face to Face Dimension: ASME B16.10
Inspection & Test: API 598	End Flanges Dimension: ASME B16.5

23	API 624 INDICATING PLATE	1	ASTM A240-304	
22	NAME PLATE	1	ASTM A240-304	
21	SCREW	1	ASTM A276-304	
20	SPACER RING		ASTM A276-F316L	
19	PIN	2	ASTM A276-304	
18	RIVET	2	ASTM A276-304	
17	GREASE FITTING	1	ASTM A276-304	
16a	WASHER	2	ASTM A564 630	
16	NUT	2	ASTM A194-8	
15	EYE BOLT	2	ASTM A193-B8	
14	NUT		ASTM A194-8	
13	STUD		ASTM A193-B8 CL2	
12	HANDWHEEL NUT	1	ASTM A276-304	
11	RETAINING NUT	1	ASTM A276-304	
10	PACKING	7	GRAPHITE	PILLAR EDP 17
9	GASKET	1	Corrugated GRAPHITE+316	≤2" 316 spiral wound Graphite
8	GLAND	1	ASTM A276 F316L	
7	STEM	1	ASTM A182-F316	
6	HANDWHEEL	1	ASTM A536 60-40-18	
5	GLAND FLANGE	1	ASTM A351-CF8	
4	STEM NUT	1	ASTM A439 D-2C	
3	WEDGE	1	ASTM A351-CF8M	
2	BONNET	1	ASTM A351-CF8M	
1	BODY	1	ASTM A351-CF8M	

up to size 3"



NO.	PART NAME	QTY.	MATERIAL	REMARK
Stan.	API 603	Shell Test	3.0 MPa	Draft
Class	150 LB	Seat Test (Hyd.)	2.1 MPa	Check
Size	1/2"~8"	Seat Test (Air)	0.6 MPa	Appr.
Rev.	0	Man.Fig.: GDC1R,CF8M/NO.10		

Type STAINLESS STEEL GATE VALVE



NWI Fig. 0.5~8G1RG10-GRA-ULE1 UserFig.