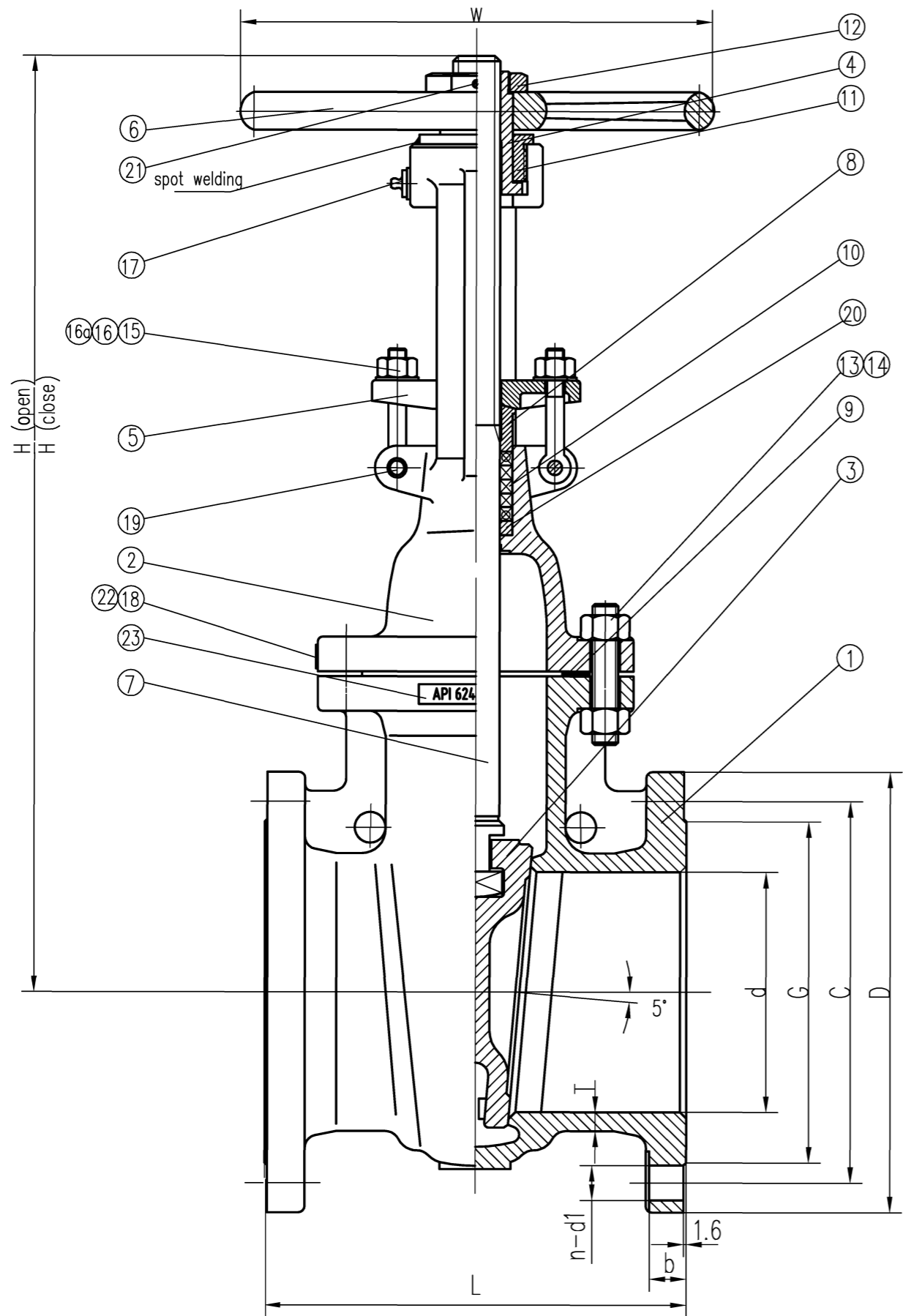


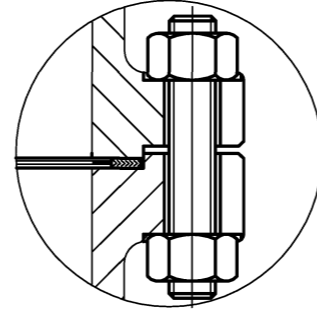
UNIT:mm	SIZE	L	W	d	G	C	D	T	b	n-d ₁	H(close)	H(open)	Weight (kg)
	10"	330	400	254	324	362	406	8.9	30	12-25	873	1147	184
	12"	356	450	305	381	432	483	9.7	31.8	12-25	1015	1349	256
	14"	381	500	337	413	476	533	10.4	35.1	12-29	1131	1488	288
	16"	406	550	387	470	539.5	597	11.2	36.6	16-29	1285	1693	373

APPLICABLE STANDARDS & TECHNICAL NOTES:								
Design: ASME B16.34, API 603		Face to Face Dimension: ASME B16.10						
Inspection & Test: API 598		End Flanges Dimension: ASME B16.5						
26	NAME PLATE	1	ASTM A240-304					
25	RIVET	2	ASTM A276-304					
24	PIN	2	ASTM A276-304					
23	GREASE FITTING	1	ASTM A276-304					
22	SPACER RING	1	ASTM A276-F316L					
21	SCREW	1	ASTM A276-316					
20	THRUST BEARING	2						
19	NUT	2	ASTM A194-8					
18	EYE BOLT	2	ASTM A193-B8					
17	NUT	8	ASTM A194-8					
16	STUD	4	ASTM A193-B8					
15	NUT		ASTM A194-8					
14	STUD		ASTM A193-B8 CL2					
13	HANDWHEEL NUT	1	ASTM A276-304					
12	RETAINING NUT	1	ASTM A276-304					
11	PACKING	7	Graphite					
10	GASKET	1	Graphite W/ CORRUGATED METAL					
9	GLAND	1	ASTM A276-316L					
8	STEM	1	ASTM A182-F316					
7	HANDWHEEL	1	ASTM A536 60-40-18					
6	GLAND FLANGE	1	ASTM A351-CF8					
5	STEM NUT	1	ASTM A439 D-2					
4	YOKE	1	ASTM A351-CF8					
3	WEDGE	1	ASTM A351-CF8M					
2	BONNET	1	ASTM A351-CF8M					
1	BODY	1	ASTM A351-CF8M					
No.	PART NAME	QTY	MATERIAL	REMARK				
Si	10"~16"	Shell Test	3.0 MPa					
Se		Seat Test (Hyd.)	2.1 MPa					
Class	150	Seat Test (Air)	0.6 MPa	0 02/23/2017 Davis Li				
User	Fi .g N/A	Rev.	Date	DRN	CHK	APRV	M	Q



Body-Bonnet Connection

(≤2")



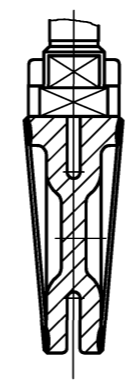
UNIT:mm	SIZE	L	W	d	G	C	D	T	b	n-d1	H(open)	H(close)
	1/2"	108	100	15	35	60.5	89	3.2	9.7	4-15	234	207
	3/4"	117	100	19	43	70	99	3.6	10.5	4-15	234	207
	1"	127	120	25	51	79.5	108	4.1	11.2	4-15	253	220
	1-1/2"	165	160	38	73	98.5	127	4.9	14.3	4-15	295	248
	2"	178	180	51	92	120.5	152	5.6	15.9	4-19	349	290
	2-1/2"	190	180	64	105	139.5	178	5.9	17.6	4-19	410	335
	3"	203	200	76	127	152.5	190	6.1	19.1	4-19	474	386
	4"	229	250	102	157	190.5	229	6.7	23.9	8-19	560	445
	6"	267	250	152	216	241.5	279	7.2	25.4	8-22	757	591
	8"	292	350	203	270	298.5	343	8.2	28.3	8-22	950	730

APPLICABLE STANDARDS & TECHNICAL NOTES:

Design: API 603, ASME B16.34	Face to Face Dimension: ASME B16.10
Inspection & Test: API 598	End Flanges Dimension: ASME B16.5

23	API 624 INDICATING PLATE	1	ASTM A240-304	
22	NAME PLATE	1	ASTM A240-304	
21	SCREW	1	ASTM A276-304	
20	SPACER RING		ASTM A276-F316L	
19	PIN	2	ASTM A276-304	
18	RIVET	2	ASTM A276-304	
17	GREASE FITTING	1	ASTM A276-304	
16a	WASHER	2	ASTM A564 630	
16	NUT	2	ASTM A194-8	
15	EYE BOLT	2	ASTM A193-B8	
14	NUT		ASTM A194-8	
13	STUD		ASTM A193-B8 CL2	
12	HANDWHEEL NUT	1	ASTM A276-304	
11	RETAINING NUT	1	ASTM A276-304	
10	PACKING	7	GRAPHITE	PILLAR EDP 17
9	GASKET	1	Corrugated GRAPHITE+316	≤2" 316 spiral wound Graphite
8	GLAND	1	ASTM A276 F316L	
7	STEM	1	ASTM A182-F316	
6	HANDWHEEL	1	ASTM A536 60-40-18	
5	GLAND FLANGE	1	ASTM A351-CF8	
4	STEM NUT	1	ASTM A439 D-2C	
3	WEDGE	1	ASTM A351-CF8MSTL.6 OVERLAY	
2	BONNET	1	ASTM A351-CF8M	
1	BODY	1	ASTM A351-CF8M	

up to size 3"



NO.	PART NAME	QTY.	MATERIAL	REMARK
Stan.	API 603	Shell Test	3.0 MPa	Draft
Class	150 LB	Seat Test (Hyd.)	2.1 MPa	Check
Size	1/2"~8"	Seat Test (Air)	0.6 MPa	Appr.
Rev.	0	Man.Fig.: GDC1R,CF8M/NO.12B		

Type STAINLESS STEEL GATE VALVE



NWI Fig. 0.5~8G1RG12B-GRA-ULE1 UserFig.