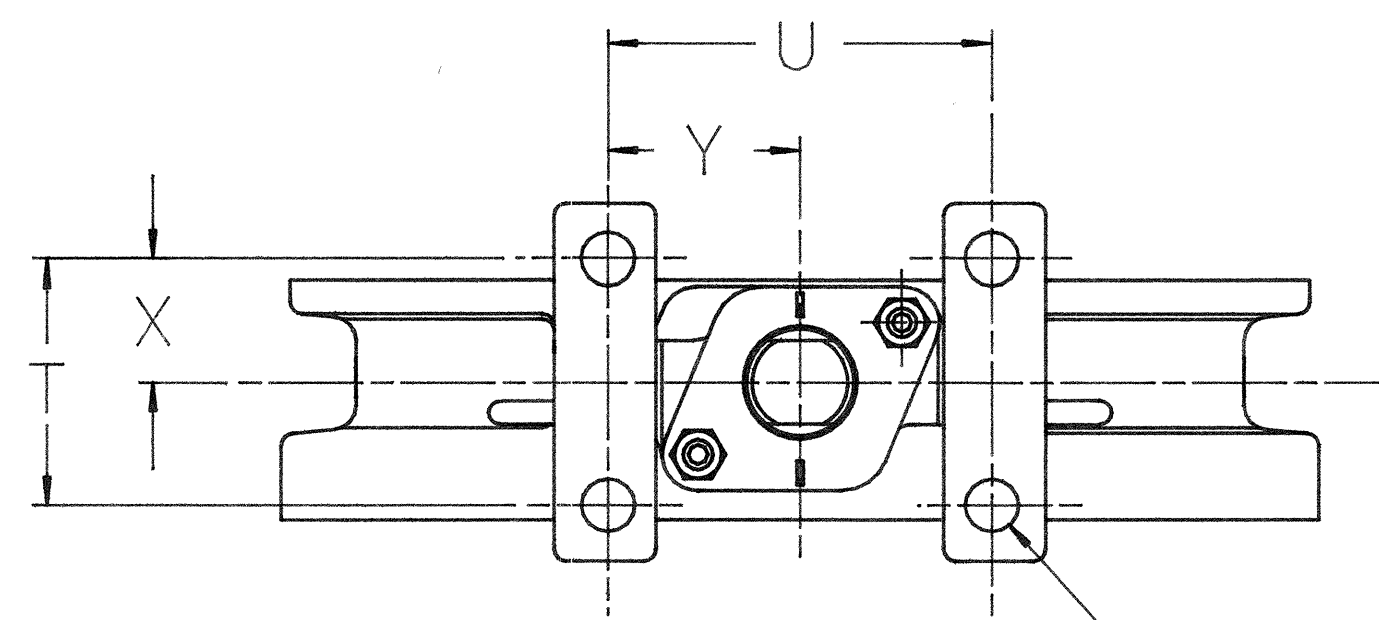
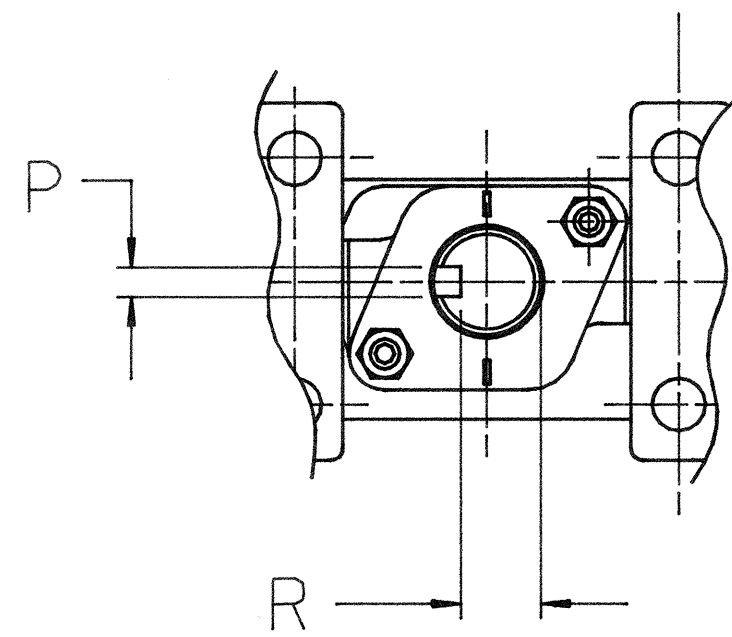


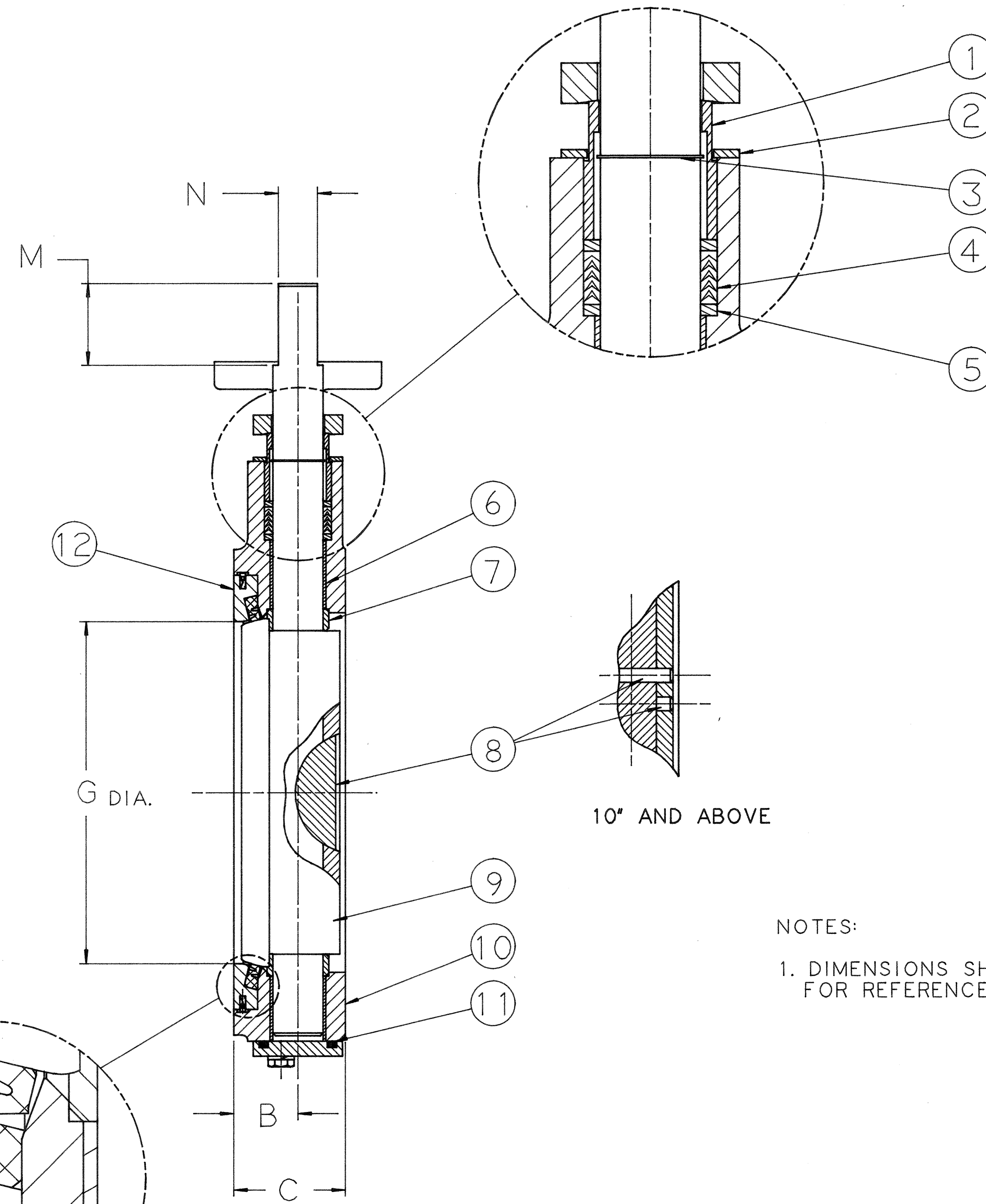
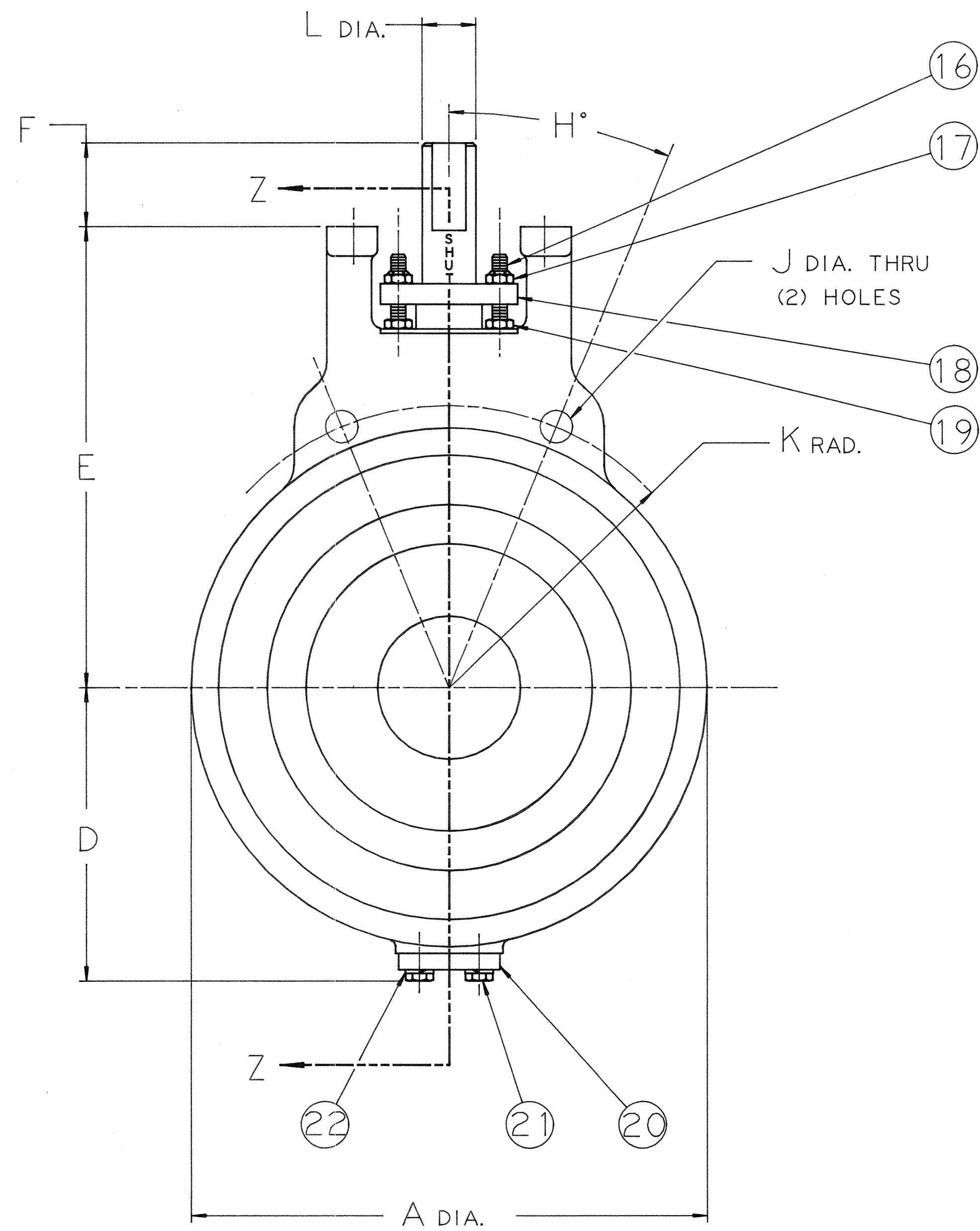
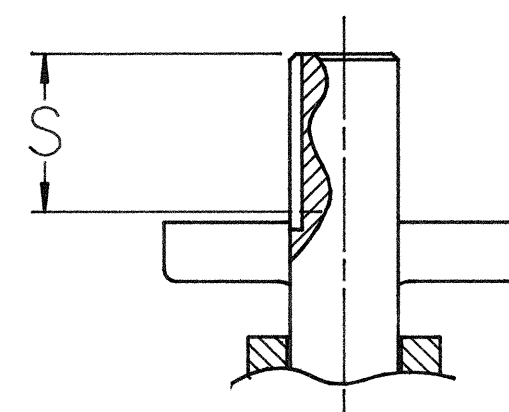
CHANGE LETTER	DESCRIPTION OF CHANGE	DATE	BY	CHK. APPR.
A	ADDED DIMENSIONS X & Y	12/4/92	TJD	JUN PD
B	NO CHANGE TO THIS SHEET	8/10/93	TJD	FA PD
C	NO CHANGE TO THIS SHEET	2/2/94	TJD	PD FA
D	NO CHANGE TO THIS SHEET	5/21/96	ARN	PD TD



V DIA. THRU
(4) HOLES



10° AND ABOVE



SECTION Z-Z

10° AND ABOVE

NOTES:

1. DIMENSIONS SHOWN ARE SPACE DIMENSIONS FOR REFERENCE ONLY.

<p>THIS DOCUMENT AND THE INFORMATION SHOWN HEREON IS PROPRIETARY (AND LIMITED) DATA OF TRI-SEAL, WITH ALL RIGHT AND TITLES RESERVED, AND IS NOT TO BE USED FOR REPRODUCTION OF THE PART SHOWN EXCEPT BY WRITTEN PERMISSION OF TRI-SEAL VALVE COMPANY. 12495 AIRLINE HWY STE-C, BATON ROUGE, LA 70817</p>		<p>TRISEAL VALVE, LLC BATON ROUGE, LOUISIANA</p>	
<p>PROJECTION DO NOT SCALE DRAWING</p>		<p>2 1/2" THRU 14" 150 CLASS BUTTERFLY VALVE ASSEMBLY (INDUSTRIAL)</p>	
<p>FRACTIONAL DIMS. ± 1/64 2 PL. DECIMAL DIMS. ± .01 3 PL. DECIMAL DIMS. ± .005 ANGULAR DIMS. ± 1°</p>		<p>ALL FINISHED SURFACES TO HAVE A 725 MAX. FINISH ALL FILLETS & RADI TO BE CONTROL SYMBOLS PER ANSI Y14.5:1982</p>	
<p>DRAWN BY TJD 10/11/91 CHECKED BY JCN 4/6/92 APPR. BY PD 4/6/92</p>		<p>SCALE NONE MADE FROM DRAWING NUMBER 2498-00-317 SHT.1</p>	
<p>REMOVE ALL BURRS AND SHARP EDGES</p>		<p>REV. D</p>	