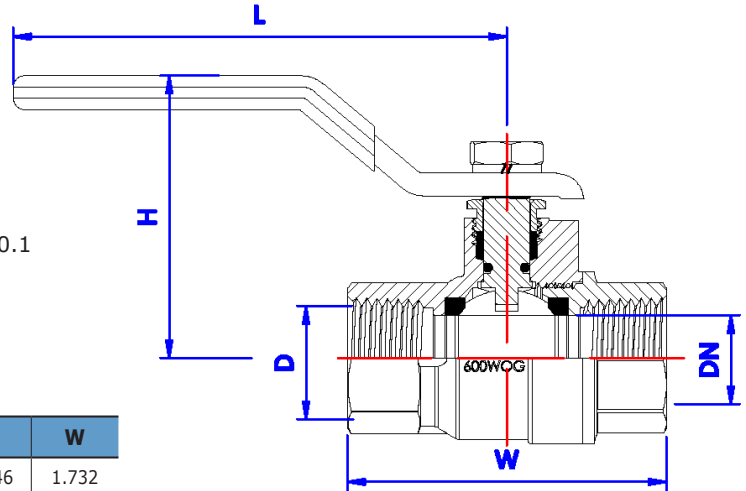




SERIES 660 Lead-Free Ball Valve IPS

- Lead Free Forged Brass
- AB1953
- ISO-9001
- 600 WOG - 150 SWP
- CAS, CUPC Certified 1/8" - 2"
- Full Port
- Blow Out Proof Stem
- PTFE Seats
- Threaded Ends Comply w/ ANSI B1.20.1
- Sizes 1/8" - 4"
- UL/FM Approval



Part No.	D	DN	H	L	W
660-002	1/4" NPT	0.393	1.681	3.346	1.732
660-003	3/8" NPT	0.393	1.681	3.346	1.751
660-005	1/2" NPT	0.590	1.811	3.346	2.204
660-007	3/4" NPT	0.748	2.084	4.291	2.519
660-010	1" NPT	0.984	2.251	4.291	2.972
660-012	1 1/4" NPT	1.259	2.527	5.629	3.444
660-015	1 1/2" NPT	1.574	2.744	5.629	3.877
660-020	2" NPT	1.940	3.039	5.629	4.291

	Component	Material
1	Body	LF Brass
2	Ring	NBR
3	Pole	Stainless steel
4	Ring	PTFE
5	Nut	Brass
6	Handle	Plated steel
7	Nut	Plated steel
8	Ring	PTFE
9	Ball	LF Brass/Stainless steel
10	Bonnet	LF Brass
11	Lock Washer	Plated steel

