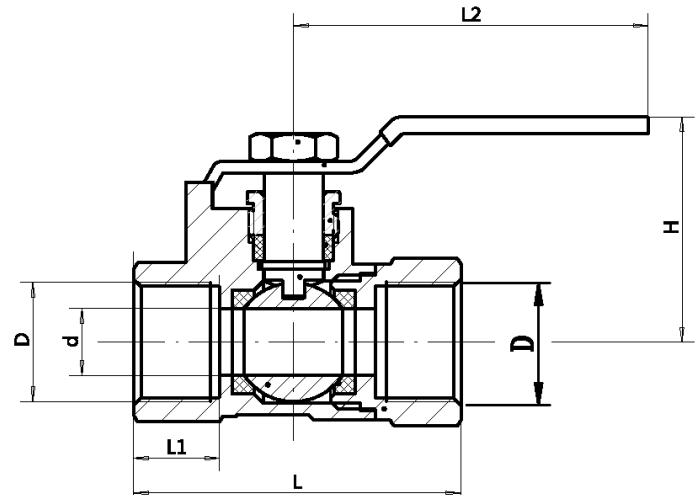




SERIES 670 Lead-Free Ball Valve IPS

- Lead Free Forged Brass
- AB1953
- ISO-9001
- 400 WOG - 150 SWP
- Blow Out Proof Stem
- PTFE Seats
- Threaded Ends Comply w/ ANSI B1.20.1
- Sizes 1/4" - 4"
- UL/FM Approval



	Component	Material
1	Body	LF Brass
2	Stem	Brass
3	Ring	PTFE
4	Nut	Brass
5	Handle	Plated steel
6	Nut	Plated steel
7	Ring	PTFE
8	Ball	LF Brass/Stainless steel
9	Bonnet	LF Brass

Part No.	Size	D	H	L	L1	d	L2
670-002	1/4"	1/4"-18 NPT	1.50	1.73	0.45	0.35	3.47
670-003	3/8"	3/8"-18 NPT	1.50	1.73	0.45	0.35	3.47
670-005	1/2"	1/2"-14 NPT	1.56	1.91	0.49	0.47	3.47
670-007	3/4"	3/4"-14 NPT	1.65	2.07	0.49	0.59	3.47
670-010	1"	1"-11.5 NPT	2.34	2.64	0.69	0.79	4.65
670-012	1 1/4"	1 1/4"-11.5 NPT	2.48	2.97	0.75	0.98	4.65
670-015	1 1/2"	1 1/2"-11.5 NPT	2.85	3.33	0.73	1.26	5.47
670-020	2"	2"-11.5 NPT	3.03	3.68	0.75	1.54	5.47

