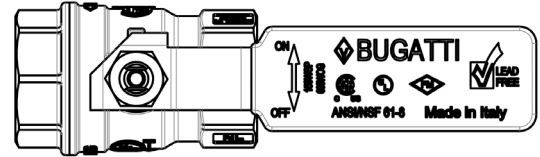
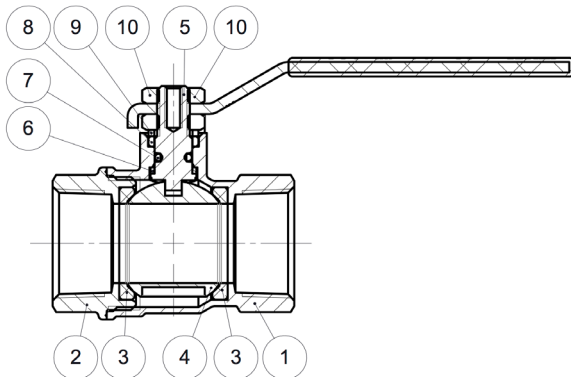
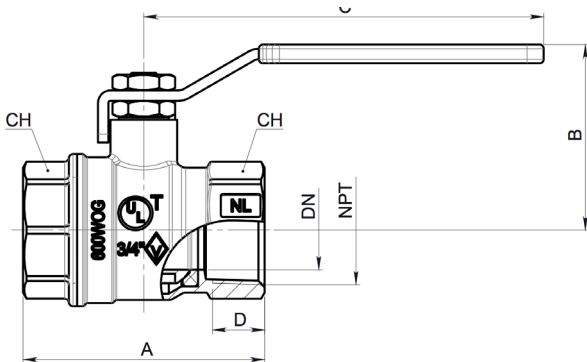


## 9241L Series Bugatti Forged Brass Ball Valve FIPxFIP, Large Steel Handle



### FEATURES

- ASSEMBLY IN RIGID PIPE SYSTEM
- KV: FLOW COEFFICIENT M<sup>3</sup>/H
- DIRECTION OF FLOW: BOTH DIRECTIONS
- TEMPERATURE RANGE: -20°C / +120°C
- USE: WATER
- UL / FM / CSA



### COMPONENTS

NO.	PART NAME	MATERIAL
1	BODY	CW510L
2	END CONNECTION	CW510L
3	BALL SEAL	PTFE
4	BALL	CW510L
5	STEM	CW614N
6	LOWER SEAL	PTFE
7	O-RING	NBR70SH
8	UPPER SEAL	PTFE
9	BRASS RING	CW614N
10	NUT	STEEL
11	HANDLE	STEEL

### DIMENSIONS

Unit: inches

SIZE	A	B	C	D	CH
1/2"	2.09	1.57	3.35	0.46	0.98
3/4"	2.28	1.77	3.80	0.49	1.22
1"	2.80	2.03	3.80	0.59	1.50
1 1/4"	3.23	2.32	4.72	0.62	1.85
1 1/2"	3.70	2.60	4.72	0.64	2.13
2"	4.13	3.27	6.38	0.65	2.64
2 1/2"	5.80	4.98	7.48	1.06	3.22
3"	6.71	5.59	8.86	1.14	3.78
4"	7.70	6.18	8.86	1.22	4.80