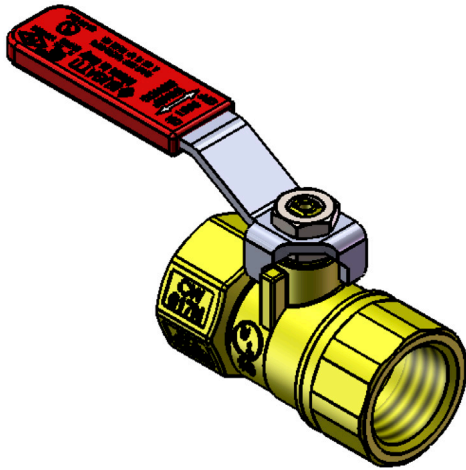


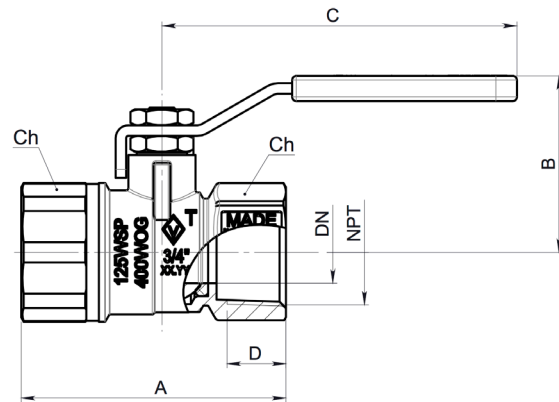
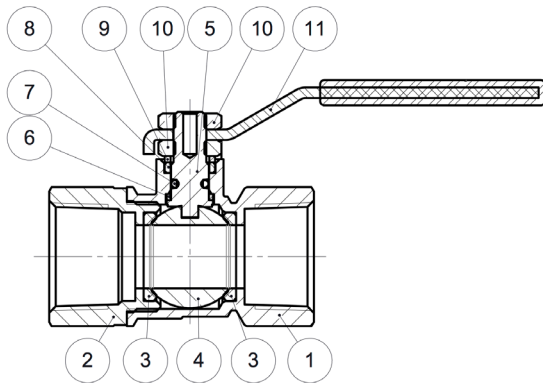
610 Series

Bugatti Forged Brass Ball Valve, Standard Port FIP×FIP, Steel Handle Zinc Plated



SPECIFICATION

- SIZE: 1/2" - 4"
- ASSEMBLY IN RIGID PIPE SYSTEM
- THREAD ENDS: ANSI B1.20.1
- PRESSURE: 400 WOG
- TEMPERATURE: -4°F / +248°F
- FLOW DIRECTION: BOTH DIRECTIONS
- UL/FM CSA CERTIFIED



COMPONENTS

NO.	PART NAME	MATERIAL
1	BODY	CW617N
2	END CONNECTION	CW617N
3	BALL SEAL	PTFE FE1000
4	BALL	CW617N
5	STEM	CW614N
6	LOWER SEAL	PTFE
7	O-RING	NBR70SH
8	UPPER SEAL;	PTFE
9	BRASS RING	CW614N
10	NUT	STEEL P10
11	HANDLE	STEEL P10

DIMENSIONS

SIZE	DN	Unit: inches					
		A	B	C	D	CH	
1/2"	0.47	2.26	1.56	3.35	0.55	0.98	
3/4"	0.59	2.48	1.64	3.80	0.57	1.22	
1"	0.79	2.87	1.90	3.80	0.67	1.50	
1 1/4"	0.98	3.46	2.12	4.72	0.71	1.89	
1 1/2"	1.26	3.52	2.34	4.72	0.75	2.13	
2"	1.57	4.06	2.59	4.72	0.79	2.64	
2 1/2"	2.36	5.05	4.96	8.18	0.79	3.23	
3"	2.83	5.91	5.59	8.90	0.89	3.78	
4"	3.70	6.89	6.18	8.90	0.98	4.80	