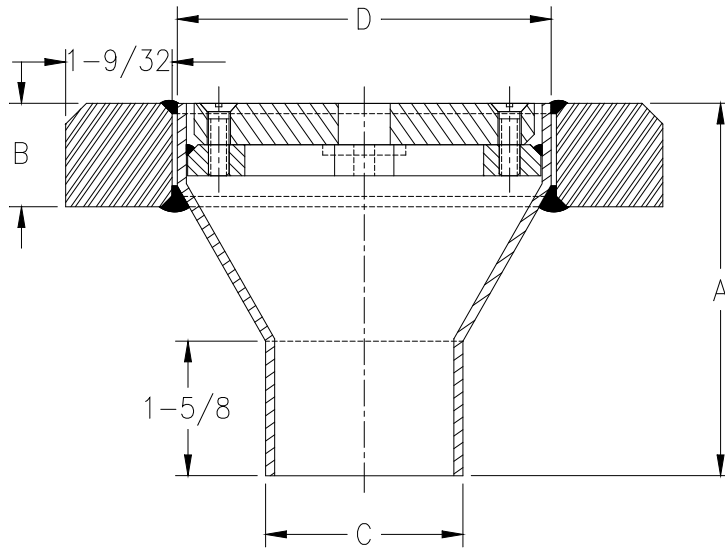


**Wrought Deck Drains
Type C
DWG 1385789**



Size	W&O Part #	Est. Weight
	Aluminum Body	
1-1/2	510103.300	6.02
2	510103.400	16.12
2-1/2	510103.450	19.94
3	510103.500	31.84

**Drain shown with optional steel compensation ring. Please specify if needed by adding "CR" to end of part number.