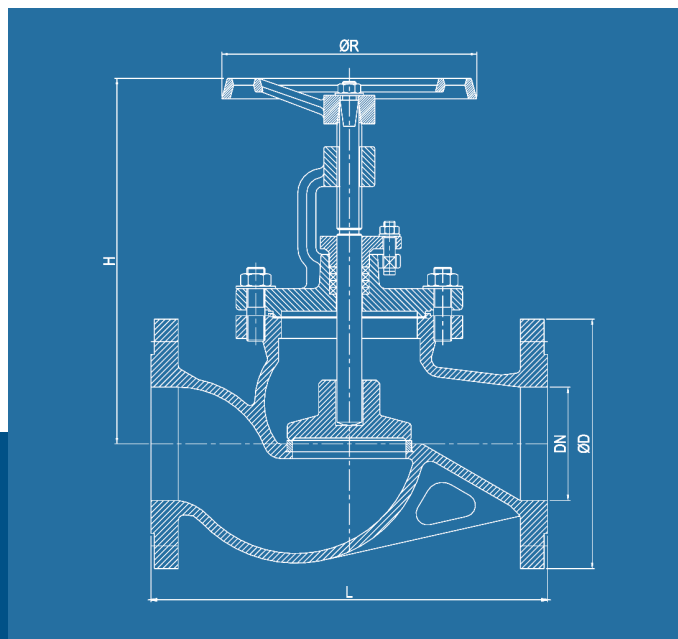


# TECHNICAL DATA

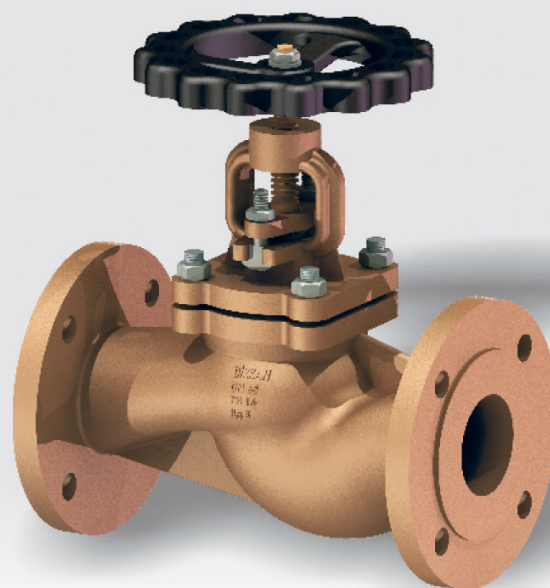
## GLOBE VALVE - STRAIGHT

**BOLTED BONNET**  
**DIN LENGTH - SDNR TYPE**



### DIMENSIONS

DN (mm)	ØD PN10	ØD PN16	L (mm)	H (mm)	ØR (mm)	Weight (kg)
15	95	95	130	165	120	3.8
20	105	105	150	165	120	4.2
25	115	115	160	175	140	5.0
32	140	140	180	180	140	7.0
40	150	150	200	215	160	11
50	165	165	230	225	160	13
65	185	185	290	245	180	18
80	200	200	310	290	200	22
100	220	220	350	330	225	34
125	250	250	400	360	250	48
150	285	285	480	420	300	70
175	315	315	550	495	400	122
200	340	340	600	505	400	146
250	395	405	730	600	520	250
300	445	460	850	670	520	350
350	505	520	980	755	640	450
400	565	580	1100	830	640	625
450	615	640	1200	920	640	770
500	670	715	1250	970	640	980
600	780	840	1450	1200	640	1200



### TECHNICAL FEATURES

<b>Body</b>	Bronze
<b>Stem/seat</b>	Bronze
<b>Design</b>	DIN 86261-A SDNR type (DIN 3356)
<b>Face to Face</b>	EN 558 series 1 (DIN 3202 F1)
<b>Flange Dimension</b>	DIN Flanges acc. to EN 1092-3/B (DIN 2501)
<b>Pressure Rating</b>	PN 4 - PN 16 (as mentioned in DIN 86261)
<b>Temperature Range</b>	-10 °C. . .+180 °C (as mentioned in DIN 86261)
<b>Options</b>	Drain plug, indicator, with spring
<b>Flange Options</b>	Special flange drilling acc. to ANSI or JIS

- Globe valves with pressure rating PN 4/6/10/16, bolted bonnet, outside screw & yoke. Raised face flanges according to DIN. TYPE APPROVED.
- Application: The valves offer good resistance to corrosive action of seawater, fresh water and waste water.



[www.wosupply.com](http://www.wosupply.com)