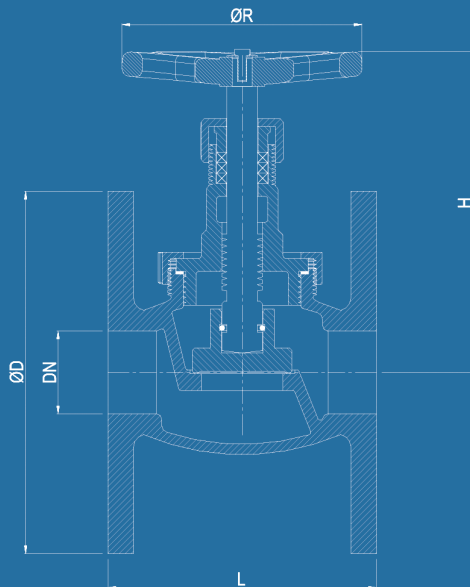


TECHNICAL DATA

GLOBE VALVE - STRAIGHT

SCREWED BONNET

SECURED BONNET - STOP TYPE



DIMENSIONS

DN (mm)	Pressure rating	ØD (mm)	L (mm)	H (mm)	ØR (mm)	Weight (kg)
15	PN 16	95	70	102	63	1.5
20	PN 16	105	80	117	80	2.3
25	PN 16	115	90	124	80	3.0
32	PN 16	140	105	130	90	5.0
40	PN 16	150	120	147	100	6.5
50	PN 16	165	140	172	125	8.0
65	PN 16	185	180	230	160	13
80	PN 16	200	200	250	200	17
100	PN 16	220	230	250	200	21

TECHNICAL FEATURES

Body	Bronze
Stem/seat	Bronze
Design	Special design, short pattern, STOP type
Face to Face	Acc. to below mentioned dimension table
Flange Dimension	DIN Flanges acc. to EN 1092-3/A (DIN 2501)
Pressure Rating	PN 16
Temperature Range	-10 °C...+200 °C
Options	Regulating disc
Flange Options	Special flange drilling acc. to ANSI or JIS

- Globe valves with pressure rating PN 16, straight pattern, flat faced flanges acc. to DIN PN 16, screwed and secured bonnet, inside screwed stem and rising handwheel.
Primary application area is aboard ships where a light bronze construction is desirable. TYPE APPROVED.
- Application: Sea water, water and low pressure steam.



www.wosupply.com