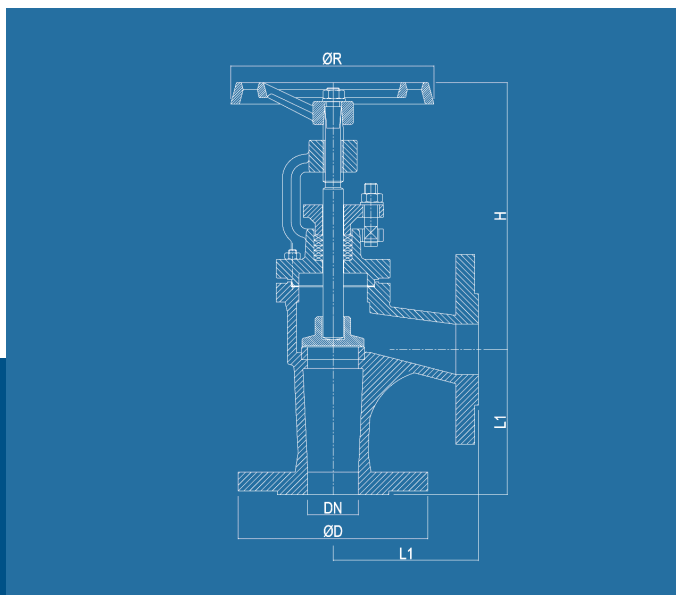


TECHNICAL DATA

GLOBE VALVE - ANGLE - BOLTED BONNET

DIN LENGTH - SDNR TYPE



DIMENSIONS

DN (mm)	ØD PN10	ØD PN16	L1 (mm)	H (mm)	ØR (mm)	Weight (kg)
15	95	95	90	155	120	3.8
20	105	105	95	155	120	4.0
25	115	115	100	160	140	5.0
32	140	140	105	170	140	7.0
40	150	150	115	210	160	10
50	165	165	125	210	160	12
65	185	185	145	225	180	17
80	200	200	155	260	200	23
100	220	220	175	305	225	33
125	250	250	200	310	250	50
150	285	285	225	350	300	70
175	315	315	250	420	400	90
200	340	340	275	420	400	110
250	395	405	325	485	520	155
300	445	460	375	530	520	215
350	505	520	425	610	640	275
400	565	580	475	660	640	360
450	615	640	500	700	640	395
500	670	715	525	765	640	485
600	780	840	450+550	810	640	650



TECHNICAL FEATURES

Body	Cast iron / Ductile iron
Face to Face	Bronze or Stainless steel
Design	DIN 86252 SDNR Type (DIN 3356)
Face to Face	EN 558 Series 8 (DIN 3202 F32)
Flange Dimension	DIN Flanges acc. to EN 1092-2/B (DIN 2501)
Pressure Rating	PN 4 - PN 16 (as mentioned in DIN 86252)
Temperature Range	-10 °C...+180 °C (as mentioned in DIN 86252)
Options	Spring loaded, drain plug
Flange Options	Special flange drilling acc. to ANSI or JIS

- Globe valves with pressure rating PN 4/6/10/16, bolted bonnet, outside screw & yoke. Raised face flanges according to DIN. TYPE APPROVED.
- Application: Aboard ships for hot and cold water, oil and steam.



www.wosupply.com