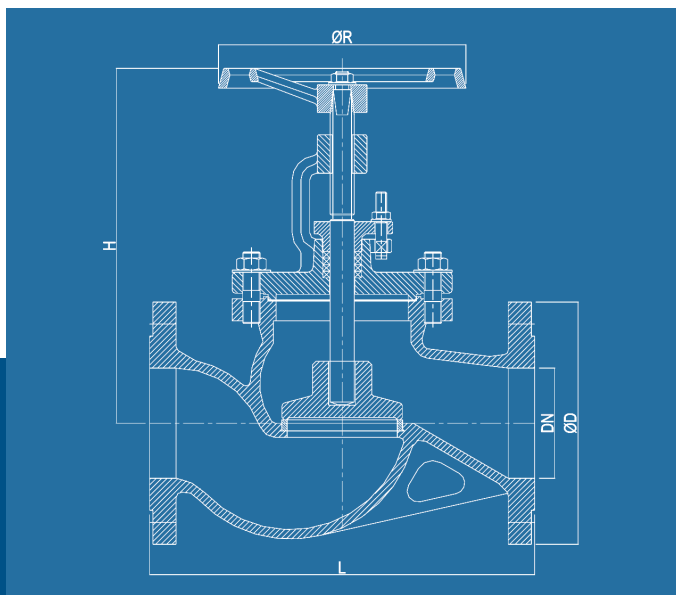


# TECHNICAL DATA

## GLOBE VALVE - STRAIGHT - BOLTED BONNET

### DIN LENGTH - SDNR TYPE



### DIMENSIONS

DN (mm)	ØD PN10	ØD PN16	L (mm)	H (mm)	ØR (mm)	Weight (kg)
15	95	95	130	165	120	4.0
20	105	105	150	165	120	4.5
25	115	115	160	175	140	5.0
32	140	140	180	180	140	7.0
40	150	150	200	215	160	11
50	165	165	230	225	160	13
65	185	185	290	245	180	19
80	200	200	310	290	200	25
100	220	220	350	330	225	35
125	250	250	400	360	250	58
150	285	285	480	420	300	80
175	315	315	550	495	400	125
200	340	340	600	505	400	145
250	395	405	730	600	520	230
300	445	460	850	670	520	330
350	505	520	980	755	640	440
400	565	580	1100	830	640	605
450	615	640	1200	920	640	750
500	670	715	1250	970	640	900
600	780	840	1450	1200	640	1130



### TECHNICAL FEATURES

<b>Body</b>	Cast iron / Ductile iron
<b>Stem/seat</b>	Bronze or Stainless steel
<b>Design</b>	DIN 86252 SDNR Type (DIN 3356)
<b>Face to Face</b>	EN 558 Series 1 (DIN 3202 F1)
<b>Flange Dimension</b>	DIN Flanges acc. to EN 1092-2/B (DIN 2501)
<b>Pressure Rating</b>	PN 4 - PN 16 (as mentioned in DIN 86252)
<b>Temperature Range</b>	-10 °C...+180 °C (as mentioned in DIN 86252)
<b>Options</b>	Spring loaded, drain plug
<b>Flange Options</b>	Special flange drilling acc. to ANSI or JIS

- Globe valves with pressure rating PN 4/6/10/16, bolted bonnet, outside screw & yoke. Raised face flanges according to DIN. TYPE APPROVED.
- Application: Steam, cold and hot water, oil and gases.



[www.wosupply.com](http://www.wosupply.com)