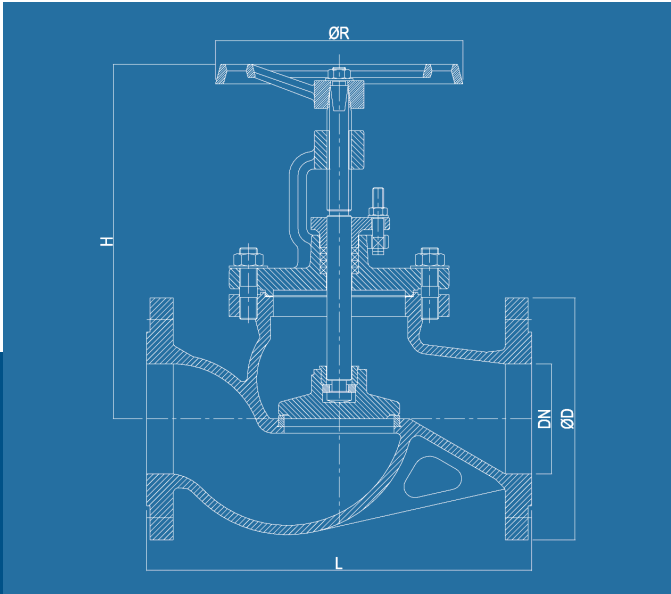


# TECHNICAL DATA

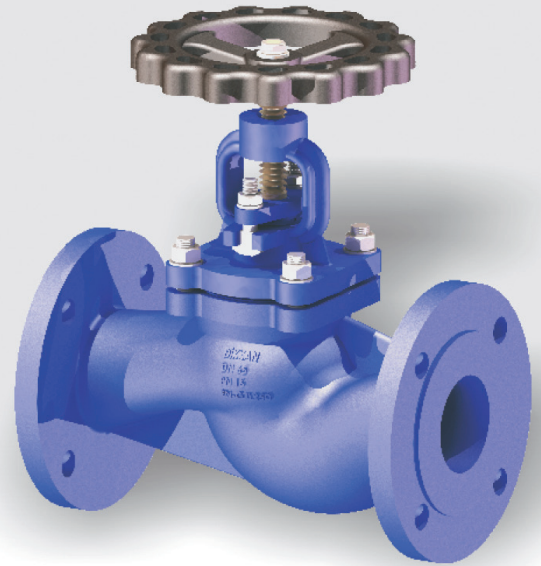
## GLOBE VALVE - STRAIGHT - BOLTED BONNET

### DIN LENGTH - STOP TYPE



### DIMENSIONS

DN (mm)	ØD PN10	ØD PN16	L (mm)	H (mm)	ØR (mm)	Weight (kg)
15	95	95	130	165	120	3.8
20	105	105	150	165	120	4.0
25	115	115	160	175	140	5.0
32	140	140	180	180	140	7.0
40	150	150	200	220	160	11
50	165	165	230	230	160	13
65	185	185	290	245	180	18
80	200	200	310	295	200	25
100	220	220	350	330	225	35
125	250	250	400	365	250	55
150	285	285	480	420	300	75
175	315	315	550	500	400	115
200	340	340	600	510	400	135
250	395	405	730	600	520	215
300	445	460	850	670	520	305
350	505	520	980	755	640	405
400	565	580	1100	835	640	550
450	615	640	1200	920	640	690
500	670	715	1250	970	640	835
600	780	840	1450	1200	640	1050



### TECHNICAL FEATURES

<b>Body</b>	Cast iron / Ductile iron
<b>Stem/seat</b>	Bronze or Stainless steel
<b>Design</b>	DIN 86251 STOP Type (DIN 3356)
<b>Face to Face</b>	EN 558 Series 1 (DIN 3202 F1)
<b>Flange Dimension</b>	DIN Flanges acc. to EN 1092-2/B (DIN 2501)
<b>Pressure Rating</b>	PN 4 - PN 16 (as mentioned in DIN 86251)
<b>Temperature Range</b>	-10 °C...+180 °C (as mentioned in DIN 86251)
<b>Options</b>	Regulating disc, drain plug
<b>Flange Options</b>	Special flange drilling acc. to ANSI or JIS

- Globe valves with pressure rating PN 4/6/10/16, bolted bonnet, outside screw & yoke. Raised face flanges according to DIN. TYPE APPROVED.
- Application: Aboard ships for hot and cold water, oil and steam.



[www.wosupply.com](http://www.wosupply.com)