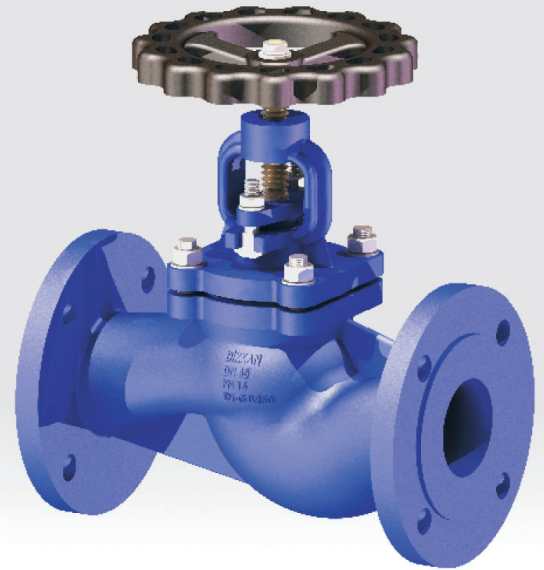
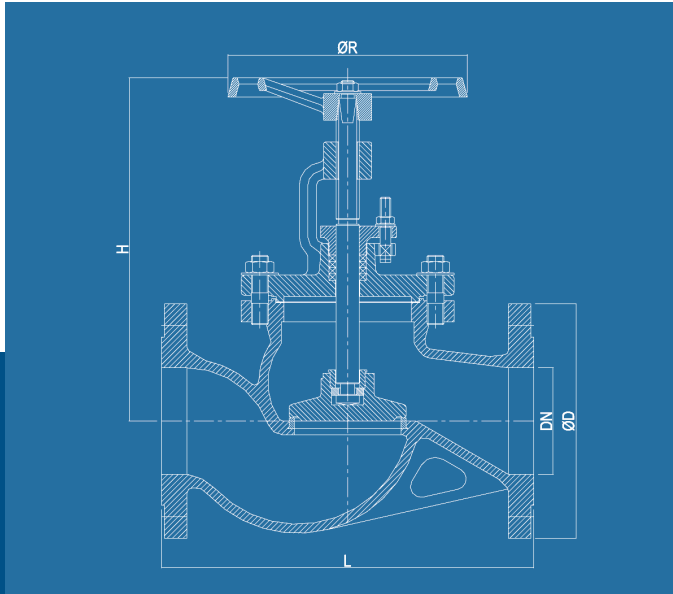


TECHNICAL DATA

GLOBE VALVE - STRAIGHT - BOLTED BONNET

DIN LENGTH - STOP TYPE



TECHNICAL FEATURES

Body	Cast steel / Stainless steel (AISI 316)
Stem/seat	Stainless steel
Design	DIN EN 13709 STOP Type (DIN 3356)
Face to Face	EN 558 Series 1 (DIN 3202 F1)
Flange Dimension	DIN Flanges acc. to EN 1092-1/B (DIN 2501)

DIMENSIONS

DN (mm)	ØD PN10	ØD PN16	ØD PN25	ØD PN40	L (mm)	H (mm)	ØR (mm)	Weight (kg)
15	95	95	95	95	130	165	120	4.0
20	105	105	105	105	150	165	120	4.5
25	115	115	115	115	160	175	140	5.0
32	140	140	140	140	180	180	140	7.0
40	150	150	150	150	200	220	160	11
50	165	165	165	165	230	230	160	13
65	185	185	185	185	290	245	180	19
80	200	200	200	200	310	295	200	25
100	220	220	235	235	350	330	225	35
125	250	250	270	270	400	365	250	58
150	285	285	300	300	480	420	300	80
175	315	315	330	350	550	500	400	125
200	340	340	360	375	600	510	400	145
250	395	405	425	450	730	600	520	230
300	445	460	485	515	850	670	520	330
350	505	520	555	580	980	755	640	440
400	565	580	620	660	1100	835	640	605
450	615	640	670	685	1200	920	640	750
500	670	715	730	755	1250	970	640	900
600	780	840	845	890	1450	1200	640	1130

Pressure Rating PN 4 - PN 40

Temperature Range -10 °C...+300 °C

Options Regulating disc, drain plug, balance disc

Flange Options Special flange drilling acc. to ANSI or JIS

- Globe valves with pressure rating PN 4/6/10/16/25/40, bolted bonnet, outside screw & yoke. Raised face flanges according to DIN. TYPE APPROVED.
- Application: Steam, cold and hot water, oil and gases and aggressive media, for higher temperatures and pressures.

www.wosupply.com