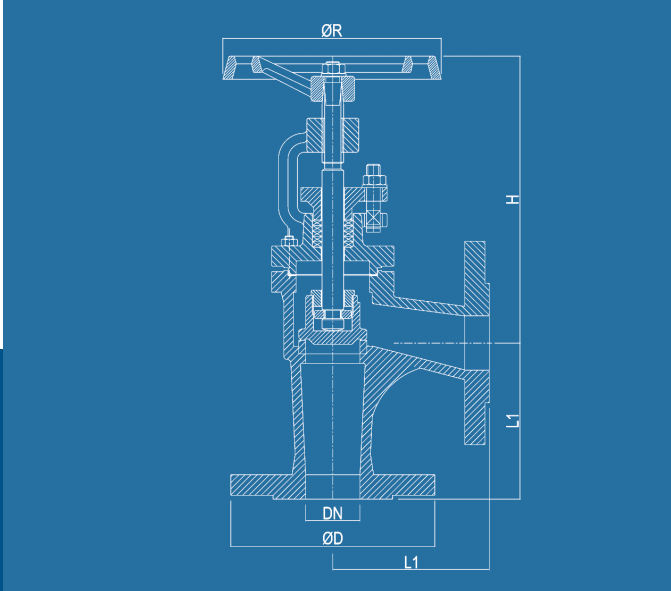


TECHNICAL DATA

GLOBE VALVE - ANGLE - BOLTED BONNET

DIN LENGTH - STOP TYPE



TECHNICAL FEATURES

Body	Cast steel
Stem/seat	Stainless steel
Design	DIN EN 13709 STOP Type (DIN 3356)
Face to Face	EN 558 Series 8 (DIN 3202 F32)
Flange Dimension	DIN Flanges acc. to EN 1092-1/B (DIN 2501)

DIMENSIONS

DN (mm)	ØD PN10	ØD PN16	ØD PN25	ØD PN40	L1 (mm)	H (mm)	ØR (mm)	Weight (kg)
15	95	95	95	95	90	160	120	3.8
20	105	105	105	105	95	155	120	4.0
25	115	115	115	115	100	165	140	5.0
32	140	140	140	140	105	170	140	7.0
40	150	150	150	150	115	215	160	10
50	165	165	165	165	125	215	160	12
65	185	185	185	185	145	225	180	17
80	200	200	200	200	155	265	200	23
100	220	220	235	235	175	305	225	33
125	250	250	270	270	200	310	250	50
150	285	285	300	300	225	355	300	70
175	315	315	330	350	250	420	400	90
200	340	340	360	375	275	420	400	110
250	395	405	425	450	325	485	520	155
300	445	460	485	515	375	535	520	215
350	505	520	555	580	425	610	640	275
400	565	580	620	660	475	660	640	360
450	615	640	670	685	500	700	640	395
500	670	715	730	755	525	765	640	485
600	780	840	845	890	450+550	810	640	650

Pressure Rating	PN 4 - PN 40
Temperature Range	-10 °C...+300 °C
Options	Regulating disc, drain plug, balance disc
Flange Options	Special flange drilling acc. to ANSI or JIS

- Globe valves with pressure rating PN 4/6/10/16/25/40, bolted bonnet, outside screw & yoke. Raised face flanges according to DIN. TYPE APPROVED.
- Application: Aboard ships for hot and cold water, oil and steam, high pressure liquids.



www.wosupply.com