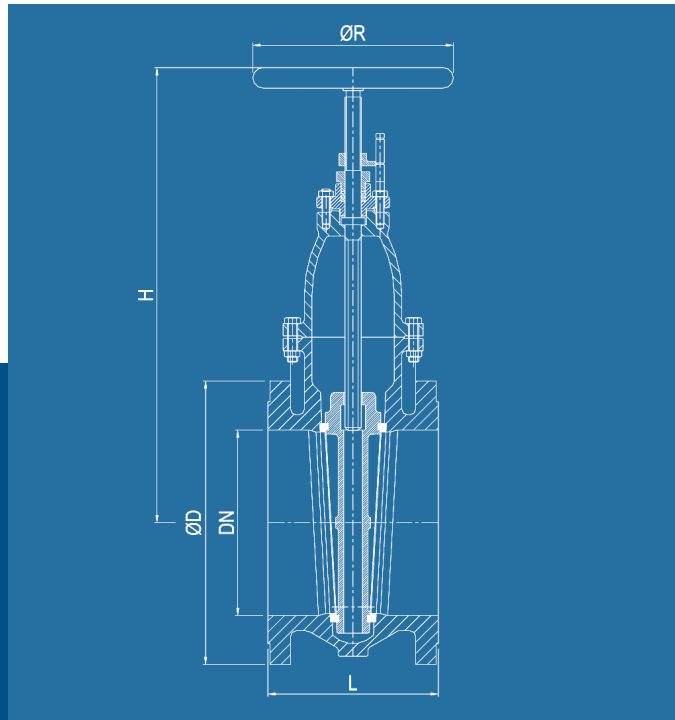


TECHNICAL DATA

GATE VALVE - NON RISING STEM

SHORT TYPE - F4 WITH INDICATOR



DIMENSIONS

DN (mm)	ØD PN10	ØD PN16	L (mm)	H (mm)	ØR (mm)	Weight (kg)
40	150	150	140	270	140	15
50	165	165	150	270	140	17
65	185	185	170	295	160	20
80	200	200	180	325	160	27
100	220	220	190	360	200	34
125	250	250	200	450	200	45
150	285	285	210	500	200	55
175	315	315	220	560	200	70
200	340	340	230	620	250	90
250	395	405	250	730	315	145
300	445	460	270	845	315	210
350	505	520	290	930	400	260
400	565	580	310	1015	400	330
450	615	640	330	1125	400	370
500	670	715	350	1275	500	520
600	780	840	390	1460	500	630
700	895	910	430	1650	630	810



TECHNICAL FEATURES

Body	Cast steel / Stainless steel
Stem/seat	Bronze or Stainless steel
Design	DIN EN 1984 (DIN 3352 T2) - with indicator
Face to Face	EN 558 Series 14 (DIN 3202 F4)
Flange Dimension	DIN Flanges acc. to EN 1091-1/B (DIN 2501)
Pressure Rating	PN 4 - PN 16
Temperature Range	-10 °C...+120 °C
Options	Drain plug, double threaded stem, locking device chainwheel
Flange Options	Special flange drilling acc. to ANSI or JIS, flat faced flanges

- Gate valves with raised face flanges acc. to DIN PN 10/16, bolted bonnet and adjustable gland and short face to face. Inside screwed stem, non-rising stem and handwheel.
- Application: Cold and hot water, fresh water, seawater, lubricating oil.