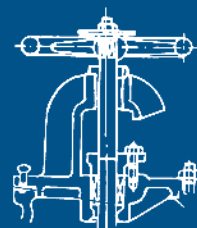
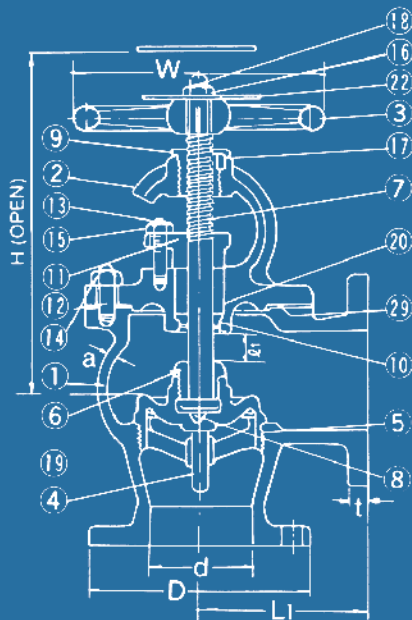
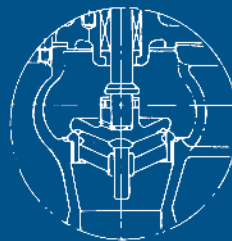


TECHNICAL DATA

ANGLE VALVE CAST STEEL - 5K



F7312



TECHNICAL FEATURES

1	body	cast steel
2	bonnet	cast steel
3	handwheel	cast iron
4	disc	bronze / ss
5	body seat	bronze / ss
6	disc gland	bronze / ss
7	stem	brass / ss
8	washer	alloy tool steel
9	bush	bronze
10	packing ring	bronze/ ss
11	packing gland	bronze
12	bonnet bolt	rolled steel
13	packing gland bolt	rolled steel
14	bonnet nut	rolled steel
15	packing gland nut	rolled
16	handle nut	brass
17	set screw	rolled steel
18	split pin	brass wire
19	disc stopper	brass plate / ss
20	packing	teflon
21	gasket	non asbestos
22	name plate	brass plate

DIMENSIONS

Rating	size (mm)	Ød (mm)	ØD (mm)	ØC (mm)	N-Øh (mm)	t (mm)	L1 (mm)	H (mm)	Weight (kg)
JIS 5K	50A	50	130	105	4-15	16	100	240	12.9
(JIS F7306)	65A	65	155	130	4-15	18	115	255	18.2
	80A	80	180	145	4-19	18	130	265	23.4
	100A	100	200	165	8-19	20	150	310	33.7
	125A	125	235	200	8-19	20	170	330	46.2
	150A	150	265	230	8-19	22	190	380	63.4
	200A	200	320	280	8-23	24	220	450	105
	250A	250	385	345	12-23	26	275	540	178
	300A	300	430	390	12-23	28	310	610	275
	350A	335	480	435	12-25	30	360	690	357
	400A	380	540	495	16-25	30	395	770	501

www.wosupply.com