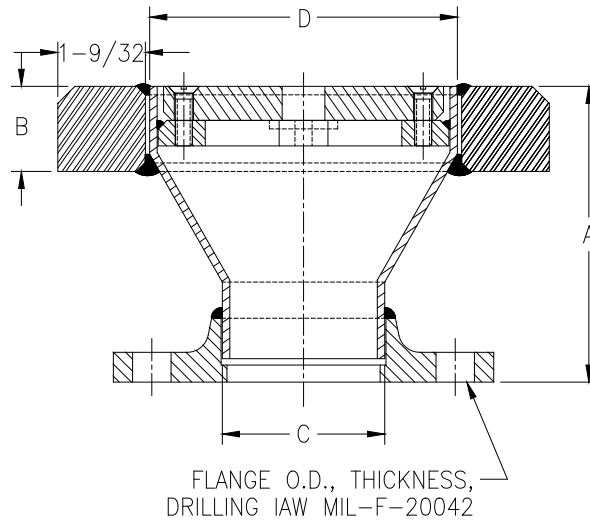


**Wrought Deck Drains
Type F
DWG 1385789**



Size	W&O Part #	Est. Weight
	70/30 Body	
1-1/2	510206.300	2.00
2	510206.400	2.50
2-1/2	510206.450	3.00
3	510206.500	3.50

**Drain shown with optional steel compensation ring. Please specify if needed by adding "CR" to end of part number.