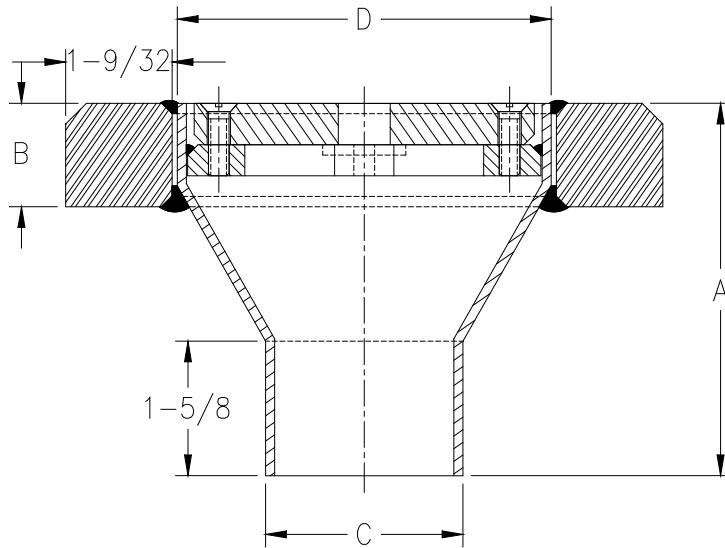


**Wrought Deck Drains
Type C
DWG 1385789**



Size	W&O Part #	Est. Weight
	70/30 Body	
1-1/2	510203.300	6.02
2	510203.400	16.12
2-1/2	510203.450	19.94
3	510203.500	31.84

**Drain shown with optional steel compensation ring. Please specify if needed by adding "CR" to end of part number.