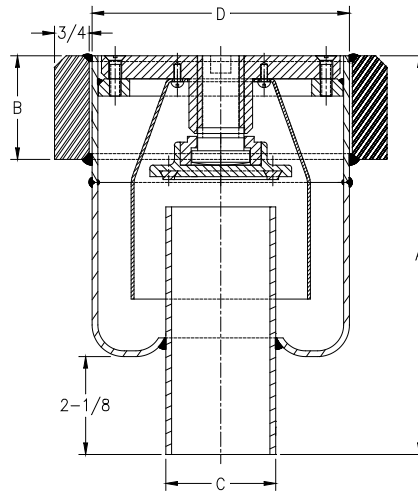


**Wrought Deck Drains  
Type A 2" or 4" Seal  
DWG 1385789**



Size	W&O Part #	Est. Weight
	70/30 Body	
1-1/2	510201.300	6.02
2	510201.400	16.12
2-1/2	510201.450	19.94
3	510201.500	31.84

\*\*Drain shown with optional steel compensation ring. Please specify if needed by adding "CR" to end of part number.