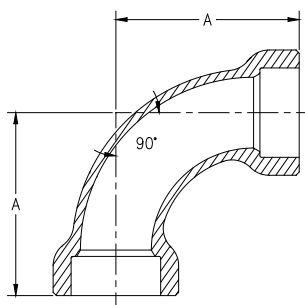


**400 PSI Socket Weld Fittings**  
**90° LR Elbows**  
**DWG 803-6397430**



### **90° Long Radius Elbows**

Nominal Pipe Size	W&O Part #	W&O Part #	A	Estimated Weight (Lbs.)
	90/10	70/30		
1/4	640111.040	645111.040	1.250	0.33
3/8	640111.060	645111.060	1.500	0.37
1/2	640111.100	645111.100	1.750	0.46
3/4	640111.150	645111.150	2.000	0.64
1	640111.200	645111.200	2.310	0.97
1-1/4	640111.250	645111.250	2.750	1.57
1-1/2	640111.300	645111.300	3.130	2.10
2	640111.400	645111.400	3.750	3.43
2-1/2	640111.450	645111.450	4.500	5.23
3	640111.500	645111.500	5.440	8.05
3-1/2	640111.550	645111.550	6.190	10.80
4	640111.600	645111.600	6.940	13.90
5	640111.650	645111.650	8.130	21.90
6	640111.700	645111.700	9.000	31.70