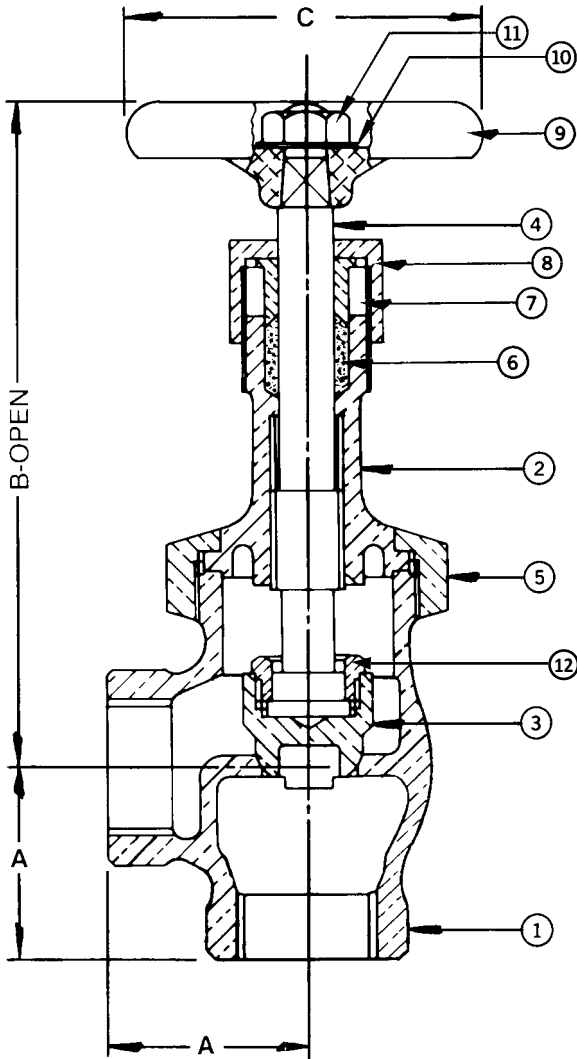


582 1/4"-2"

Bronze Angle Valve
300 SWP - 1000 WOG †
Bronze Renewable Disc
Union Bonnet • Threaded Ends
Conforms to: MSS SP-80



Note: Not intended for use in potable water.

MATERIAL LIST			
No.	PART	MATERIAL	SPECIFICATION
1	Body	Bronze	ASTM B61
2	Bonnet	Bronze	ASTM B61
3	Disc	Bronze	ASTM B61
4	Stem	Bronze	ASTM B61
5	Union Bonnet Nut	Bronze	ASTM B61
6	Packing	Graphite	Commercial
7	Gland	Brass	ASTM B 124 C37700
8	Packing Nut	Brass	ASTM B16
9	Handwheel	Mall. Iron	Commercial
10	Name Plate	Aluminum	Commercial
11	Handwheel Nut	Brass	Commercial
12	Disc Ring	Brass	B16

DIMENSIONS - INCHES/MILLIMETERS					
Units	Size	A	B	C	C _v
Inches	1/4	1.06	4.00	2.25	1.60
mm		27	102	57	
Inches	3/8	1.19	4.00	2.25	3.10
mm		30	102	57	
Inches	1/2	1.25	4.50	2.50	5.10
mm		32	114	64	
Inches	3/4	1.50	5.19	2.75	9.20
mm		38	132	70	
Inches	1	1.75	6.38	3.25	16.00
mm		45	162	83	
Inches	1 1/4	2.06	6.88	3.75	28.00
mm		52	175	95	
Inches	1 1/2	2.25	7.50	4.25	39.00
mm		57	193	108	
Inches	2	2.75	8.75	4.75	66.00
mm		70	222	121	

† Non-Shock

INNOVATION IN EVERY VALVE



The information presented on this sheet is correct at the time of publication. Milwaukee Valve reserves the right to change design, and/or material specifications without notice. For the Installation, Operation and Maintenance Manual (IOM) see the Technical/Service Information section on our website. For the most current information access www.milwaukeevalve.com

MILWAUKEE VALVE