
GAGE VALVES

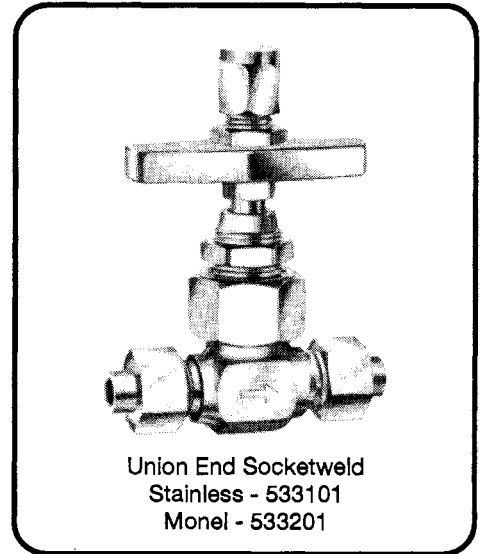
6000 PSI

MIL-V-24578

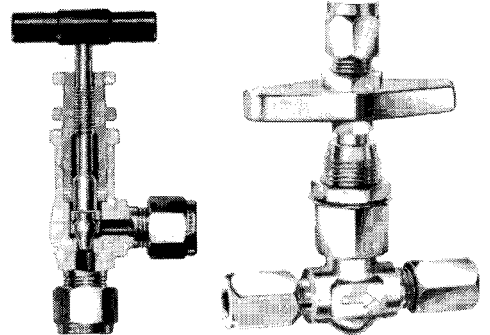
SIZE: 1/4" OD

DESIGN DESCRIPTION

Stainless steel or monel body
Union end socketweld or bite-type compression ends.
Also available with male or female threaded ends .
Straight or angle pattern



Union End Socketweld
Stainless - 533101
Monel - 533201



Angle Type
Stainless - 533401

Bite Type
Stainless - 533102
Monel - 533202

NEEDLE VALVES

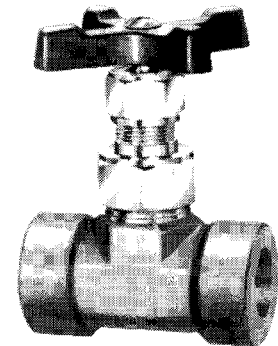
5000 PSI

MIL-V-24586

SIZES: 1/4" to 1/2" IPS

DESIGN DESCRIPTION

Carbon or stainless steel body
Designed for use with IPS sized pipe
Socketweld ends
Union bonnet



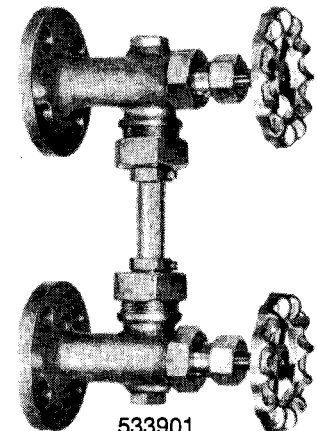
Steel 533401
Stainless 533407

LIQUID GAUGE VALVES

MIL-I-20031

SIZE: 3/4"

Flanged End



533901