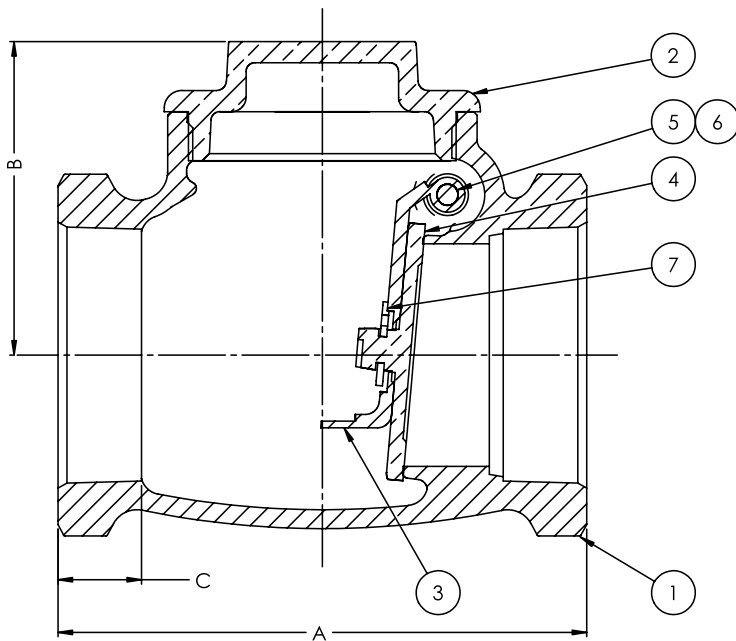


515 1/4"-2"

Bronze Check Valve
150 SWP - 300 WOG †
Horizontal Swing • Threaded Ends
Bronze Disc
Conforms to: MSS SP-80



Note: Not intended for use in potable water.

MATERIAL LIST			
No.	PART	MATERIAL	SPECIFICATION
1	Body	Bronze	ASTM B62
2	Cap	Bronze	ASTM B62
3	Lever	Stainless Steel	Commercial
4	Disc	Brass	ASTM B16 1/4" to 3/4" Incl.
		Bronze	ASTM B62 1" to 2" Incl.
5	Pin	Stainless Steel	Commercial
6	Plug (not shown)	Brass	ASTM B16
7	Retaining Ring	Stainless Steel	Commercial

DIMENSIONS - INCHES/MILLIMETERS				
Units	Size	A	B	C _v
Inches mm	1/4	2.13 54	1.44 37	3.3
Inches mm	3/8	2.13 54	1.44 37	6.0
Inches mm	1/2	2.31 59	1.44 37	10.0
Inches mm	3/4	2.63 67	1.69 43	18.0
Inches mm	1	3.25 83	2.00 51	31.0
Inches mm	1 1/4	3.56 91	2.13 54	54.0
Inches mm	1 1/2	4.00 102	2.38 60	76.0
Inches mm	2	4.75 130	2.81 208	131.0

† Non-Shock

INNOVATION IN EVERY VALVE



The information presented on this sheet is correct at the time of publication. Milwaukee Valve reserves the right to change design, and/or material specifications without notice. For the Installation, Operation and Maintenance Manual (IOM) see the Technical/Service Information section on our website. For the most current information access www.milwaukeevalve.com

MILWAUKEE VALVE