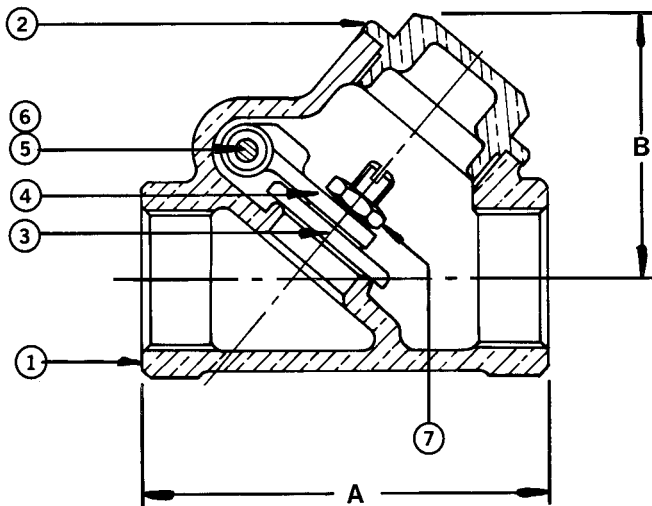


507 1/4"-3"

Bronze Check Valve
300 SWP - 600 WOG †
Horizontal Swing • Threaded Ends
Y-Pattern
Conforms to: MSS SP-80

| MATERIAL LIST | | | |
|---------------|----------------|-------------|------------------|
| No. | PART | MATERIAL | SPECIFICATION |
| 1 | Body | Cast Bronze | ASTM B61 |
| 2 | Cap | Cast Bronze | ASTM B61 |
| 3 | Disc | Cast Bronze | ASTM B61 |
| 4 | Lever | Cast Bronze | ASTM B61 |
| 5 | Pin | St. Steel | Commercial |
| 6 | Plug | Rod Brass | ASTM B16 |
| 7 | Retaining Ring | St. Steel | ASTM A276 TY.304 |



Note: Not intended for use in potable water.

| DIMENSIONS - INCHES/MILLIMETERS | | | | |
|---------------------------------|-------|-------------|-------------|----------------|
| Units | Size | A | B | C _v |
| Inches mm | 1/4 | 2.25 57 | 1.63 41 | 2.3 |
| Inches mm | 3/8 | 2.25 57 | 1.63 41 | 4.3 |
| Inches mm | 1/2 | 2.63 67 | 1.75 44 | 7.2 |
| Inches mm | 3/4 | 3.00 76 | 1.94 49 | 13.0 |
| Inches mm | 1 | 3.69 94 | 2.50 64 | 22.0 |
| Inches mm | 1 1/4 | 4.38 111 | 3.00 76 | 39.0 |
| Inches mm | 1 1/2 | 5 130 | 3.31 84 | 56.0 |
| Inches mm | 2 | 5.88 149 | 4.00 208 | 92.0 |
| Inches mm | 2 1/2 | 7.00 178 | 4.75 121 | 150.0 |
| Inches mm | 3 | 7.88 200 | 5.50 127 | 240.0 |

† Non-Shock

INNOVATION IN EVERY VALVE



The information presented on this sheet is correct at the time of publication. Milwaukee Valve reserves the right to change design, and/or material specifications without notice. For the Installation, Operation and Maintenance Manual (IOM) see the Technical/Service Information section on our website. For the most current information access www.milwaukeevalve.com

MILWAUKEE VALVE