

# BRONZE GATE UNION END

DWG 1385714

SIZES: 1/4" to 2"

## DESIGN DESCRIPTION

Union Ends	1/2" thru 2" size with monel seat rings
Non-rising Stem	1/4" and 3/8" sizes with integral bronze seats
Threaded Bonnet	Silbrazed tailpieces to MIL-F-1183
Monel Stem and Disc	

## PARTS AND MATERIAL LIST:

DESCRIPTION	MATERIAL	SPECIFICATION
body	cast valve bronze	ASTM B61
bonnet	cast valve bronze	ASTM B61
seat ring	ni-cu alloy	QQ-N-288
wedge	ni-cu alloy	QQ-N-288
stem	ni-cu alloy	QQ-N-281
packing gland	phosphor bronze	QQ-B-750
retainer ring	cast valve bronze	ASTM B61
union "O" ring	buna-N rubber	MIL-P-83461
	rubber (EPR)	E515-80 or equal
packing	TFE imp. asbestos	commercial
union nut	cast valve bronze	ASTM B61
union tailpiece		
(silbrazed)	valve bronze	ASTM B61
(socketweld)	cu-ni alloy	MIL-C-15726
	stainless	ASTM A182
(buttweld)	ni-cu	QQ-N-281
	cu-ni alloy	MIL-C-15726
stuffing box	cast valve bronze	ASTM B61
stuffing nut	cast valve bronze	ASTM B61

## OPTIONAL FEATURES:

These valves are normally furnished with bronze silbrazed tailpieces. Tailpieces can also be furnished with socketweld or buttweld ends in 90/10 or 70/30 coppernickel, monel, or stainless.

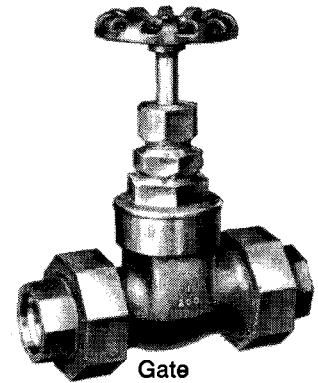
The "O" Rings (one each at the body and tailpiece joint) can be furnished in the following materials:

1. BUNA-N—For oil service.
2. "EPR"—For water, gas or steam service.

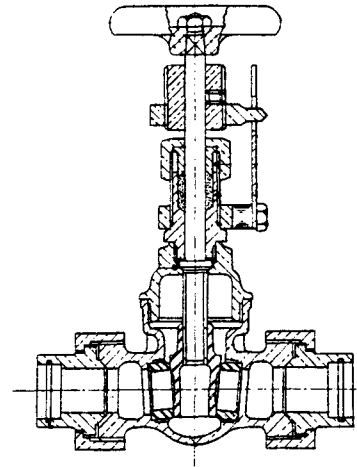
Available with lockshield and key.  
Available with stem position indicator.

## PRESSURE/TEMPERATURE RATINGS

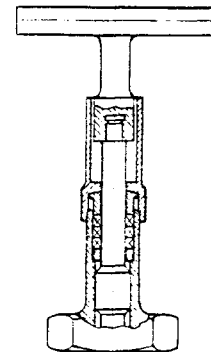
200 psi wsp 425° F  
400 psi wog 150° F



Gate  
414101



With Indicator  
414261



With Lockshield  
414161