

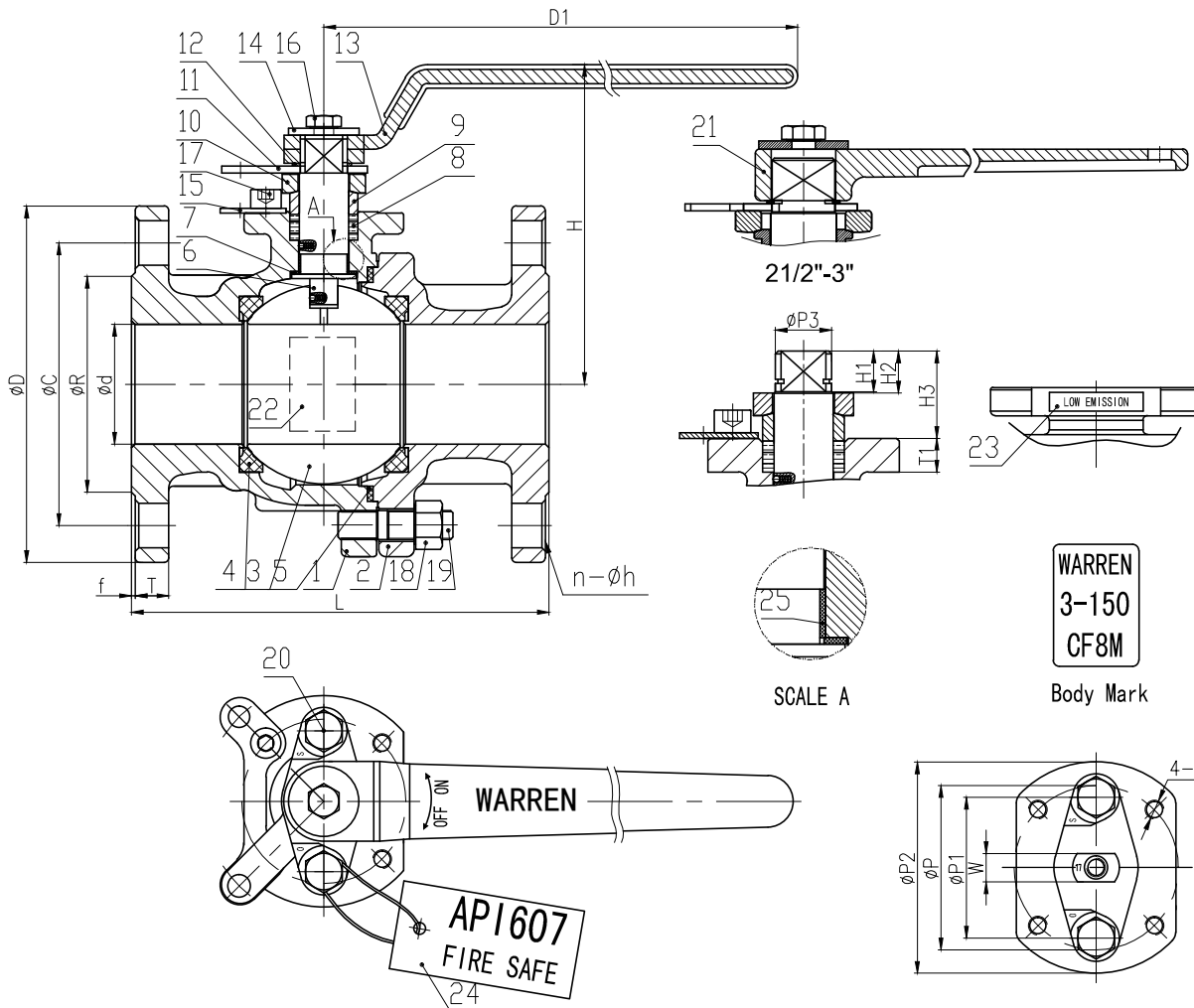
# Fig No:WARREN- 6156FS

Steam Rating:  
150 PSI WSP  
Test Pressure:  
Inspection Per API 598  
Shell (by Water)425 Psig  
Seat (by Air)85.3 Psig

APPLICABLE STANDARDS:  
Manufacturing Standard :ASME B16.34  
Shell Wall Tickness:ASME B16.34  
Face to Face:ASME B16.10(Long Pattern)  
End Flanges:ASME B16.5  
Iso Mounting Pad :ISO 5211  
Fire-Safe Design,Tested :API607 6th Edition  
Low Emission:ANSI-ISA-93.00.01,100ppm  
Material Requirement: NACE MR 0175  
NACE MR 0103

Torque Value Is Including 25% Safe Factor  
**MATERIAL LIST**

NO.	PART NAME	SPECIFICATION	Q'TY	
1	BODY	ASTM A351-CF8M	1	
2	CAP	ASTM A351-CF8M	1	
3	BALL	ASTM A182-F316	1	
4	SEATS	RTFE	2	15% Glass filled
5	GASKET	SPW316+ Graphite	1	
6	STEM	17-4PH	1	
7	THRUST WASHER	RTFE	1	
8	STEM PACKING	Expanded Graphite +Corrosion Inhibitor	1SET	2"&Larger Cup And Cone Design
9	GLAND	AISI A276-316	1	
10	GLAND FLANGE	ASTM A351-CF8	1	
11	STOPPER	AISI A240-304	1	
12	SNAP RING	AISI A686-W1	1	Ni+Cr Plated
13	HANDLE	AISI A283-D+PVC	1	2"&Smaller
14	TOP WASHER	AISI A240-304	1	
15	LOCKING PLATE	AISI A240-304	1	
16	TOP BOLT	ASTM A193-B8	1	
17	LOCKING BOLT	ASTM A193-B8	2	
18	CAP BOLT NUT	ASTM A194-8M	1SET	
19	CAP BOLT	ASTM A193-B8M	1SET	
20	GLAND BOLT	ASTM A193-B8	2	
21	HANDLE	AISI A536	1	2 1/2"&Larger
22	NAMEPLATE	AISI A167-304	1	
23	LOW EMISSION	AISI A240-304	1	
24	API607	PLASTIC	1	
25	BEARING	PTFE	1	



## DIMENSIONS

UNIT: (Inch)

SIZE	d	L	H	H1	H2	H3	D1	ISO 5211	P	P1	P2	P3	W	D	C	R	Q UNC	n-h	T	T1	f	Cv(GPM)	TORQUE(IN-LB)	WEIGHT(LB)
DN15	1/2"	0.51	4.25	3.66	0.377	0.377	0.764	F04	1.65	1.65	2.17	0.39	0.24	3.5	2.37	1.38	1/4-20	4-0.62	0.38	0.28	0.06	28	34	3.969
DN20	3/4"	0.75	4.61	3.81	0.377	0.377	0.78	F04	1.65	1.65	2.17	0.39	0.24	3.94	2.76	1.69	1/4-20	4-0.62	0.38	0.31	0.06	61	66	5.072
DN25	1"	1.0	5.0	4.17	0.39	0.39	0.866	F05	1.97	1.93	2.56	0.55	0.31	4.33	3.13	2	1/4-20	4-0.62	0.38	0.35	0.06	110	89	7.056
DN32	1 1/4"	1.25	5.5	4.36	0.39	0.39	0.866	F05	1.97	1.93	2.56	0.55	0.31	4.53	3.5	2.5	1/4-20	4-0.62	0.47	0.35	0.06	185	100	10.584
DN40	1 1/2"	1.5	6.5	4.99	0.57	0.58	1.28	F07	2.76	2.36	3.54	0.79	0.47	4.92	3.87	2.87	5/16-18	4-0.62	0.5	0.37	0.06	260	178	14.553
DN50	2"	2.0	7.0	5.36	0.57	0.58	1.24	F07	2.76	2.36	3.54	0.79	0.47	5.98	4.74	3.62	5/16-18	4-0.75	0.56	0.35	0.06	505	299	21.609
DN65	2 1/2"	2.5	7.5	5.33	0.91	0.93	1.77	F10	4.02	3.31	4.92	1.06	0.67	7.09	5.5	4.13	3/8-16	4-0.75	0.65	0.53	0.06	817	331	34.839
DN80	3"	3.0	8.0	5.85	0.91	0.91	1.74	F10	4.02	3.31	4.92	1.06	0.67	7.48	6	5	3/8-16	4-0.75	0.69	0.63	0.06	1152	331	46.966



APPROVED BY.		CHECK BY.		DRAWN BY.		DRAWINGNO.		MATERIAL		UNIT		DESCRIPTION	
SIGN	YH.YE	YJ.WANG	R.LUO	WARREN- 6156FS		CF8M		inch		TWO PIECES BALL VALVES FIRE SAFE APPROVED,FLANGE END, BI-DIRECTIONAL , FULL BORE , ANSI CLASS 150			
DATE	2014/08/26	2014/08/26	2014/08/26	REVISION	07	SCALE	FREE						