



Triac Series 55 Ball Valves feature a high quality investment cast body and ends. They are available 1/4"– 4" with threaded, socket weld and butt weld ends. Superior leak protection is accomplished by using a live-loaded packing system including Belleville washers and double "V" ring packing.

VALVE SIZE	VALVE Cv
1/4"	7
3/8"	8
1/2"	15
3/4"	40
1"	70
1-1/4"	110
1-1/2"	250
2"	400
2-1/2"	600
3"	1100
4"	2000

Easy to Automate!

See automated data sheets for pre-sized assemblies



Pneumatic



Electric



Series 55 3-Piece Design

Sizes 1/4" - 4"

Full Port Design

800/1000 psi WOG (by size)

Economical 3-pc design

Available in 316SST or WCB

Threaded, Socket Weld, or Butt Weld Ends

Live Loaded Packing System

ISO 5211 Actuator Mounting Pad

Blowout Proof Stem w/ Dual Anti-Static Devices

RTFE Seats Standard

Lockable Manual Handle

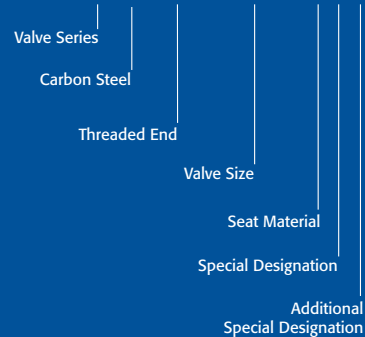
STANDARDS

Design	ANSI/ASME B16.34
End Connections	ASME B1.20.1, B16.11
Pressure Testing	API 598
Mounting	ISO 5211
Marking System for Valves	MSS SP-25
Material Certification	EN 10204-3.1 MTR
Quality Assurance	ISO 9001:2008

HOW TO ORDER MANUAL VALVES

SAMPLE PART #

55C-TH-0300-XXX



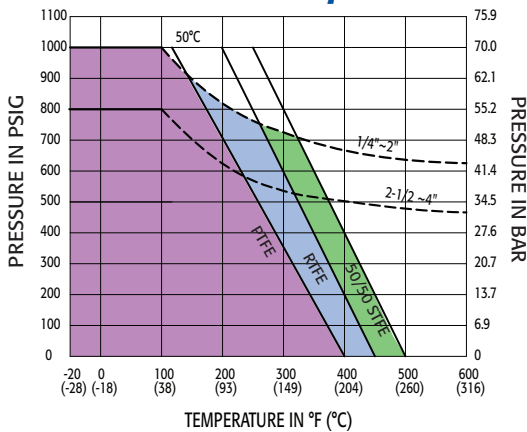
See part number matrix for itemized options

Series 55

Economical Full Port 3-Piece Ball Valve

ISO 5211 Mounting Pad 1000 & 800 psi WOG (by size) 1/4" to 4"

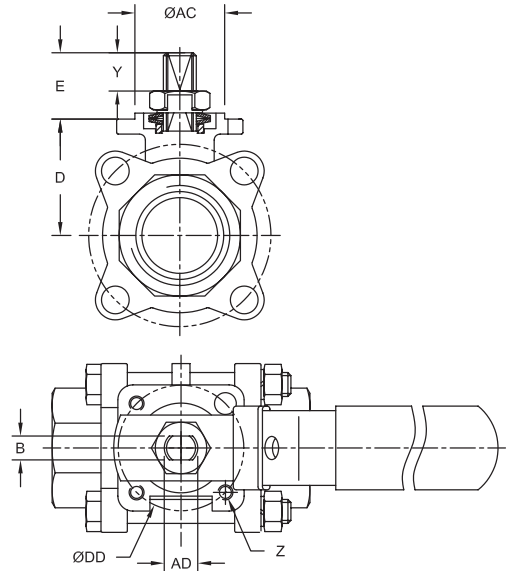
Pressure vs. Temperature



Break Away Torque for RTFE Seats

SIZE	IN.-LBS.
1/4"	62
3/8"	62
1/2"	62
3/4"	80
1"	141
1-1/4"	150
1-1/2"	257
2"	319
2-1/2"	522
3"	691
4"	1151

FOR OTHER SEAT MATERIAL CONSULT FACTORY

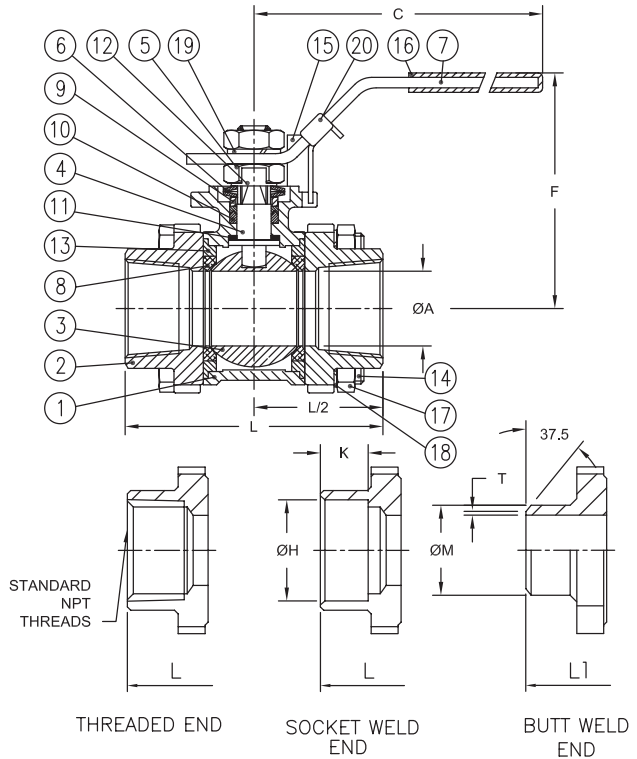


MATERIALS LIST

NO.	PART NAME	QTY.	STAINLESS STEEL	CARBON STEEL
1	BODY	1	ASTM A351 GRADE CF8M	ASTM A216 GRADE WCB
2	TH END CAP	2	ASTM A351 GRADE CF8M	ASTM A216 GRADE WCB
2	BW/SW END CAP	2	ASTM A351 GRADE CF3M	ASTM A216 GRADE WCB
3	BALL	1	1/4" THRU 3/8" ASTM A276 SS316	1/4" THRU 3/8" ASTM A276 SS316
3	BALL	1	1/2" THRU 4" ASTM A351 GR CF8M	1/2" THRU 4" ASTM A351 GR CF8M
4	STEM	1	ASTM A276 SS316	ASTM A276 SS316
5	STEM NUT	2	AISI 304	AISI 304
6	BELLEVILLE WASHER	2	AISI 301	AISI 301
7	HANDLE	1	AISI 304	AISI 304
8	SEAT	2	RTFE	RTFE
9	GLAND BUSHING	1	AISI 304	AISI 304
10	GLAND PACKING	1 [^]	PTFE	PTFE
11	THRUST WASHER	1	RTFE	RTFE
12	LOCK SADDLE	1	AISI 304	AISI 304
13	JOINT GASKET	2	PTFE	PTFE
14	BODY BOLT/STUD	*	ASTM A193 GRADE B8	**
15	STOP BOLT	1	AISI 304	AISI 304
16	HANDLE SLEEVE	1	VINYL	VINYL
17	BODY NUT	#	ASTM A194 GRADE 8	##
18	LOCK WASHER	#	AISI 304	AISI 304
19	STEM WASHER	1	AISI 304	AISI 304
20	HANDLE LOCK	1	AISI 304	AISI 304

[^] PACKING SET
 * 1/4" THRU 3/8" QTY = 4 PCS
 # 4" QTY = 6 PCS
 # 1/4" THRU 2" QTY = 4 PCS
 # 2-1/2" THRU 3" QTY = 8 PCS
 # 4" QTY = 12 PCS

** 1/4" THRU 1-1/2" ASTM A193 GRADE B8
 ** 2" THRU 4" ASTM A193 GRADE B7
 ## 1/4" THRU 1-1/2" ASTM A194 GRADE 8
 ## 2" THRU 4" ASTM A194 GRADE 2H



DIMENSIONS (IN)

SIZE	A	B	C	D	E	F	H	K	L	L1	M	T	Y	Z	AC	AD	DD	ISO 5211	LBS
1/4"	0.46	0.256	5.12	1.15	0.78	2.95	0.56	0.39	2.51	2.47	0.64	0.06	0.29	M5	0.98	0.374	1.417	F03	1.4
3/8"	0.50	0.256	5.12	1.15	0.78	2.95	0.69	0.39	2.51	2.47	0.69	0.06	0.29	M5	0.98	0.374	1.417	F03	1.4
1/2"	0.59	0.256	5.12	1.15	0.78	2.95	0.86	0.39	2.59	2.59	0.89	0.06	0.29	M5	0.98	0.374	1.417	F03	1.4
3/4"	0.79	0.256	5.12	1.28	0.69	3.03	1.07	0.51	3.00	3.00	1.08	0.06	0.25	M5	0.98	0.374	1.417	F03	1.7
1"	0.98	0.315	6.30	1.53	0.81	3.35	1.33	0.51	3.39	3.39	1.34	0.06	0.48	M5	1.18	0.433	1.654	F04	2.4
1-1/4"	1.26	0.315	6.30	1.59	0.96	3.62	1.69	0.51	4.05	4.05	1.68	0.06	0.43	M5	1.18	0.433	1.654	F04	3.7
1-1/2"	1.50	0.382	7.28	1.82	1.22	4.02	1.93	0.51	4.70	4.70	1.91	0.06	0.54	M6	1.38	0.551	1.969	F05	5.5
2"	1.97	0.382	7.28	2.15	1.22	4.33	2.41	0.63	5.17	5.17	2.38	0.06	0.54	M6	1.38	0.551	1.969	F05	8.0
2-1/2"	2.56	0.472	10.24	2.81	1.68	5.91	2.91	0.63	6.46	6.46	3.00	0.08	0.91	M8	2.17	0.748	2.756	F07	16.2
3"	3.15	0.472	10.24	3.33	1.55	6.38	3.54	0.63	7.19	7.19	3.54	0.08	0.74	M10	2.76	0.748	4.016	F10	23.5
4"	3.94	0.591	11.42	4.19	2.06	7.48	4.55	0.79	9.28	9.30	4.57	0.14	1.35	M10	2.76	0.945	4.016	F10	43.7

A-T Controls reserves the right to change product designs and technical/dimensional specifications without notice.



9955 International Blvd. PHONE (513) 247-5465
 Cincinnati, Ohio 45246 FAX (513) 247-5462
 www.atcontrols.com sales@atcontrols.com