

Bronze Ball Valves

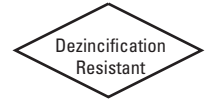
Three-Way Body • Full Port 1/2"-1" • Conventional Port 1 1/4"-2"
3-Way Bronze Ball Valve • 316SS Trim • Blowout-Proof Stem •
Vented Ball

400 PSI/27.6 bar non-shock cold working pressure

CONFORMS TO MSS SP-110

MATERIAL LIST

PART	SPECIFICATION
1. Handle	Zinc Plated Steel Clear Chromate Plastisol Coated
2. Handle Nut	Stainless Steel 300 Series
3. Threaded Pack Gland	Brass ASTM B 16 Alloy C36000
4. Packing	PTFE
5. Thrust Washer	Reinforced PTFE
6. Stem	Stainless Steel ASTM A 276 Type 316
7. Seat Ring (2)	Reinforced PTFE
8. Ball (Vented)	Stainless Steel ASTM A 276 Type 316 or ASTM A 351 Type CF8M
9. Body	Bronze ASTM B 584 Alloy C84400
10. Body End Piece	Bronze ASTM B 584 Alloy C84400



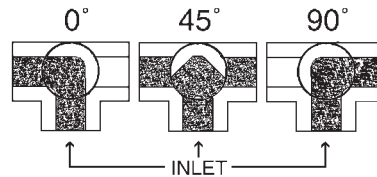
T-585-70-66-W3

Threaded



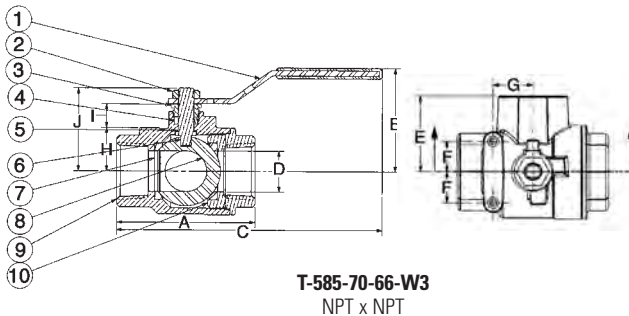
S-585-70-66-W3

Solder

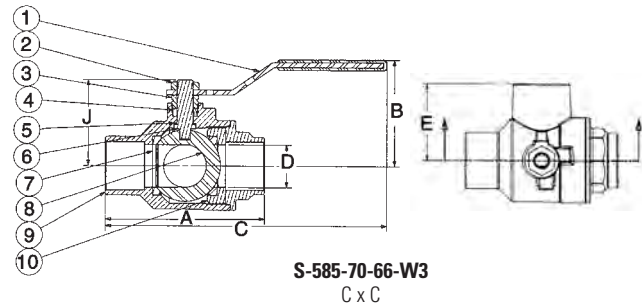


Flow Pattern
Lever Position

Note: Open port pressure must exceed closed port pressure. If closed port pressure exceeds open port pressure, ball may be forced off of the seat ring which could allow mixing from all ports.



T-585-70-66-W3
NPT x NPT



S-585-70-66-W3
C x C

DIMENSIONS—WEIGHTS—QUANTITIES

Size	T-585-70-66-W3 Dimensions												T-585-70-66-W3		Master Ctn. Qty.									
	A	B	C	D	E	F	G	H	I	J	Lbs.	Kg.												
1/2	15	2.44	62	1.88	48	5.19	132	.50	13	1.22	31	.69	18	.88	22	.65	17	.51	13	1.45	37	.84	.38	50
3/4	20	2.94	75	2.25	57	6.25	159	.75	19	1.45	37	.69	18	.88	22	.85	22	.57	14	1.80	46	1.62	.73	25
1	25	3.34	85	2.38	60	6.44	164	1.00	25	1.69	43	.69	18	.88	22	1.05	27	.57	14	1.97	50	2.28	1.03	20
1 1/4	32	4.19	106	3.00	76	6.75	171	1.12	28	1.98	50	.75	19	.94	24	1.23	31	.87	22	2.60	66	4.19	1.90	10
1 1/2	40	4.72	120	3.16	80	9.06	230	1.38	35	2.38	60	.75	19	.94	24	1.48	38	.87	22	2.84	72	6.00	2.72	8
2	50	5.31	135	3.50	89	9.25	235	1.88	48	2.75	70	.75	19	.94	24	1.88	48	.70	18	3.14	80	9.03	4.09	4

† NIBCO supplies conventional port T-580-70-66-W3 on this size.

Size	S-585-70-66-W3 Dimensions							S-585-70-66-W3		Master Ctn. Qty.						
	A	B	C	D	E	J	Lbs.	Kg.								
1/2	15	2.56	65	1.88	48	5.19	132	.50	13	1.08	27	1.45	37	.67	.30	50
3/4	20	3.25	83	2.25	57	6.25	159	.75	19	1.50	38	1.80	46	1.35	.61	25
1	25	3.75	95	2.38	60	6.63	168	1.00	25	1.85	47	1.97	50	2.07	.94	20

WARNING: This product can expose you to chemicals including lead, which is known to the State of California to cause cancer and birth defects or other reproductive harm. For more information go to www.P65Warnings.ca.gov.

Visit our website for the most current information.