

SIZE	A	B	C	D	E	F	G	H	H <sub>1</sub> -H <sub>2</sub> -H <sub>3</sub> -H <sub>4</sub>	J	K	L2	M2
2	6 3/8	3 3/16	1 7/8	1 1/4	1/2	2.25	N/A	0.39	1/8-5/8-1/2-9/16	10.5	4 3/4	11/16	4
2 1/2	6 7/8	3 1/2	2	1 1/4	1/2	2.25	N/A	0.39	1/8-5/8-1/2-9/16	10.5	5 1/2	11/16	4
3	7 1/8	3 3/4	2	1 1/4	1/2	2.25	N/A	0.39	1/8-5/8-1/2-9/16	10.5	6	11/16	4
4	7 7/8	4 1/2	2 1/8	1 1/4	5/8	2.25	N/A	0.47	3/16-7/8-3/4-3/4	10.5	7 1/2	11/16	4
5	8 3/8	5	2 3/8	1 1/4	3/4	2.25	N/A	0.55	3/16-1-3/4-13/16	10.5	8 1/2	13/16	4
6	8 7/8	5 1/2	2 3/8	1 1/4	3/4	2.25	N/A	0.55	3/16-1-3/4-13/16	10.5	9 1/2	13/16	4
8	10 1/4	6 7/8	2 1/2	1 3/4	7/8	3.34	N/A	0.67	3/16-1-3/4-1	14.0	11 3/4	13/16	4

### BILL OF MATERIAL

ITEM	DESCRIPTION	MATERIALS	ASTM
1	BODY	DUCTILE IRON	ASTM A395
2	DISC	316 STAINLESS STEEL	ASTM A351-CF8M
*3	SEAT	BUNA-N	
4	SHAFT	316 STAINLESS STEEL	ASTM A276/A479-316
*5	TAPER PIN	316 STAINLESS STEEL	ASTM A276/A479-316
6	KEY	CARBON STEEL	
*7	O-RING	BUNA-N	
8	BUSHING	PTFE	
9	BUSHING	PTFE	
10	BUSHING	PTFE	
11	RATCHET HANDLE	CARBON STEEL	

\* RECOMMENDED SPARE PARTS

#### NOTES:

- "C" DIM. IS ELASTOMER SHOWN IN RELAXED CONDITION. APPROX. 1/8" TOTAL COMPRESSION REQUIRED FOR SEAL.
- LINE FLANGE DIMENSIONS COMPLY WITH ANSI B16.1 CLASS 125 (IRON) AND B16.5 CLASS 150 (STEEL)
- MSS-SP-67 TYPE I

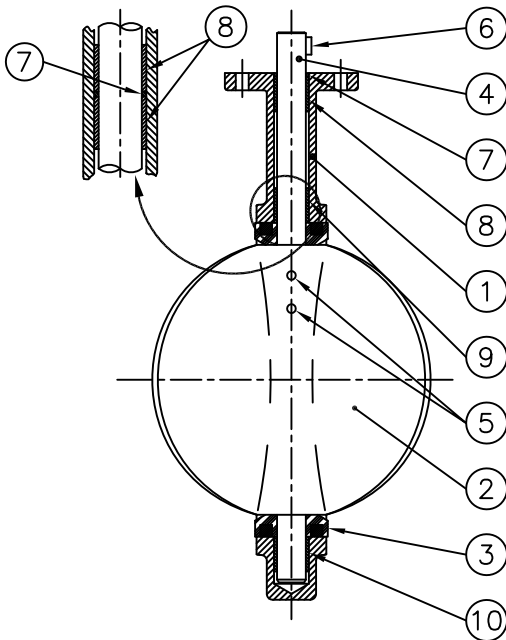


Fig. Number

\*\*WEIGHT INCLUDES HANDLE, GEAR OP OR ACTUATOR (BRACKETS AND OTHER ACCESSORIES WEIGHT NOT INCLUDED)

SIZE	**WEIGHT (lbs)
2	7.8
2 1/2	8.8
3	11.8
4	14.8
5	19.8
6	21.8
8	36

CUSTOMER: \_\_\_\_\_  
 CUSTOMER PO: \_\_\_\_\_  
 CRANE ORDER NO: \_\_\_\_\_  
 DATE: \_\_\_\_\_  
 CERTIFIED BY: \_\_\_\_\_

**PROPRIETARY NOTE**  
 THIS MATERIAL IS THE PROPERTY OF CRANE INCORPORATED AND IS FURNISHED FOR THE PURPOSE INDICATED. ANY AND ALL CONFIDENTIAL, PROPRIETARY, PATENT, AND OTHER RIGHTS IN THE SUBJECT MATTER IS RETAINED INCLUDING ANY EXCLUSIVE RIGHTS OF USE AND/OR MANUFACTURE AND/OR SALE. POSSESSION OF THIS MATERIAL DOES NOT CONVEY ANY PERMISSION TO REPRODUCE THIS MATERIAL IN WHOLE OR PART, OR MANUFACTURE OR USE THE INFORMATION THEREIN, OR USE THE CONFIDENTIAL OR PROPRIETARY INFORMATION THEREIN. SUCH PERMISSION IS TO BE GRANTED ONLY BY AN OFFICER OR OTHER AUTHORIZED AGENT OF CRANE INCORPORATED, ITS DIVISIONS OR SUBSIDIARIES.

**CRANE** Crane Energy Flow Solutions  
 Conroe Operations  
 Montgomery, Texas, USA

DRAWING NAME: 2"-8" SERIES 200 WAFER BUTTERFLY VALVE W/ HANDLE 200 PSI

DWG NO.: 02-08AG044312  
 SCALE: NTS  
 SHEET: 1 OF 1

REV. A

A 01/18/18 PA ECO 39615