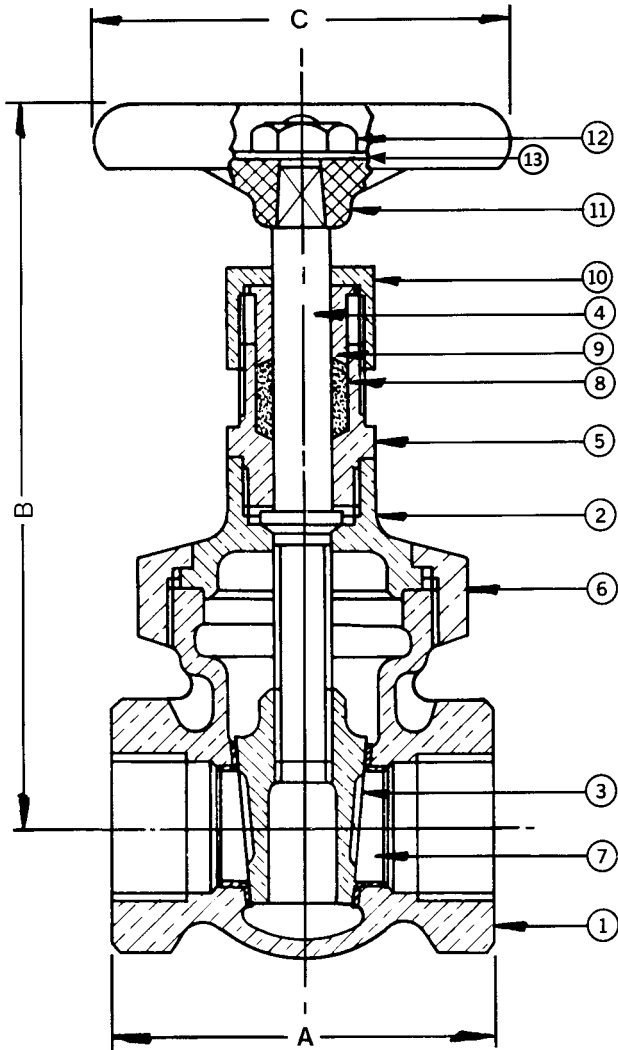


1186 1/4"-2"

Bronze Gate Valve
300 SWP - 1000 WOG †
Solid Wedge Disc • Non-Rising Stem
Union Bonnet • Threaded Ends • Stainless Seat
Conforms to: MSS SP-80*

Wear-resistant stainless seat rings are securely expanded into the body to assure trouble-free service. Normal seating wear is restricted to the bronze wedge and can be easily replaced.



Note: Not intended for use in potable water.

MATERIAL LIST			
No.	PART	MATERIAL	SPECIFICATION
1	Body	Bronze	ASTM B61
2	Bonnet	Bronze	ASTM B61
3	Wedge Disc	Bronze	ASTM B61
4	Stem	Bronze	ASTM B61
5	Stuffing Box	Bronze	ASTM B61
6	Union Bonnet Nut	Bronze	ASTM B61
7	Seat Ring	St. Steel	ASTM A 240 TY304
8	Packing	Graphite	Commercial
9	Gland	Brass	ASTM B 124 C37700
10	Packing Nut	Brass	ASTM B 283 C37700
11	Handwheel	Mall. Iron	Commercial
12	Handwheel Nut	Brass	Commercial
13	Name Plate	Aluminum	Commercial

DIMENSIONS - INCHES/MILLIMETERS					
Units	Size	A	B	C	C _v
Inches	1/4	1.81	4.13	2.25	5.6
mm		46	105	57	
Inches	3/8	1.88	4.13	2.25	10.7
mm		48	105	57	
Inches	1/2	2.25	4.31	2.50	17.6
mm		57	110	64	
Inches	3/4	2.50	4.56	2.75	32.0
mm		64	116	70	
Inches	1	3.00	5.19	2.75	54.0
mm		76	132	70	
Inches	1 1/4	3.38	5.94	3.25	97.0
mm		86	151	83	
Inches	1 1/2	3.50	6.38	3.75	135.0
mm		89	162	95	
Inches	2	3.75	7.69	4.25	230.0
mm		95	195	108	

† Non-Shock

* 4" is not covered in MSS SP-80

INNOVATION IN EVERY VALVE



The information presented on this sheet is correct at the time of publication. Milwaukee Valve reserves the right to change design, and/or material specifications without notice. For the Installation, Operation and Maintenance Manual (IOM) see the Technical/Service Information section on our website. For the most current information access www.milwaukeevalve.com

MILWAUKEE VALVE