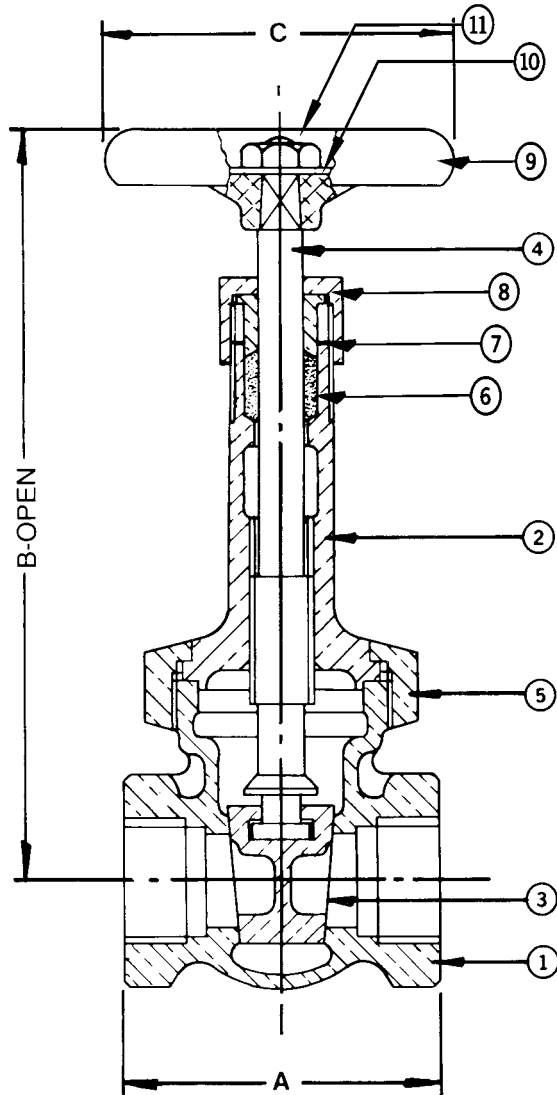


1153 1/4"-3"

Bronze Gate Valve
200 SWP - 400 WOG †
Solid Wedge Disc • Rising Stem
Union Bonnet • Threaded Ends
Conforms to: MSS SP-80



| MATERIAL LIST | | | |
|---------------|------------------|------------|-------------------|
| No. | PART | MATERIAL | SPECIFICATION |
| 1 | Body | Bronze | ASTM B61 |
| 2 | Bonnet | Bronze | ASTM B61 |
| 3 | Wedge Disc | Bronze | ASTM B61 |
| 4 | Stem | Bronze | ASTM B61 |
| 5 | Union Bonnet Nut | Bronze | ASTM B61 |
| 6 | Packing | Graphite | Commercial |
| 7 | Gland | Brass | ASTM B 124 C37700 |
| 8 | Packing Nut | Brass | ASTM B 283 C37700 |
| 9 | Handwheel | Mall. Iron | Commercial |
| 10 | Name Plate | Aluminum | Commercial |
| 11 | Handwheel Nut | Brass | Commercial |

| DIMENSIONS - INCHES/MILLIMETERS | | | | | |
|---------------------------------|-------|-------------|--------------|-------------|----------------|
| Units | Size | A | B | C | C _v |
| Inches mm | 1/4 | 1.75 45 | 5.13 130 | 2.25 57 | 5.6 |
| Inches mm | 3/8 | 1.88 47 | 5.13 130 | 2.25 57 | 10.7 |
| Inches mm | 1/2 | 2.25 57 | 5.50 140 | 2.50 64 | 17.6 |
| Inches mm | 3/4 | 2.50 64 | 6.25 159 | 2.75 70 | 32.0 |
| Inches mm | 1 | 2.88 73 | 7.19 183 | 2.75 70 | 54.0 |
| Inches mm | 1 1/4 | 3.25 83 | 8.56 218 | 3.25 83 | 97.0 |
| Inches mm | 1 1/2 | 3.50 89 | 9.56 243 | 3.75 95 | 135.0 |
| Inches mm | 2 | 3.75 95 | 11.75 299 | 4.25 108 | 230.0 |
| Inches mm | 2 1/2 | 4.63 118 | 14.50 368 | 4.75 121 | 337.0 |
| Inches mm | 3 | 5.00 127 | 16.75 426 | 5.50 140 | 536.0 |

Note: Not intended for use in potable water.

† Non-Shock

INNOVATION IN EVERY VALVE



The information presented on this sheet is correct at the time of publication. Milwaukee Valve reserves the right to change design, and/or material specifications without notice. For the Installation, Operation and Maintenance Manual (IOM) see the Technical/Service Information section on our website. For the most current information access www.milwaukeevalve.com

MILWAUKEE VALVE