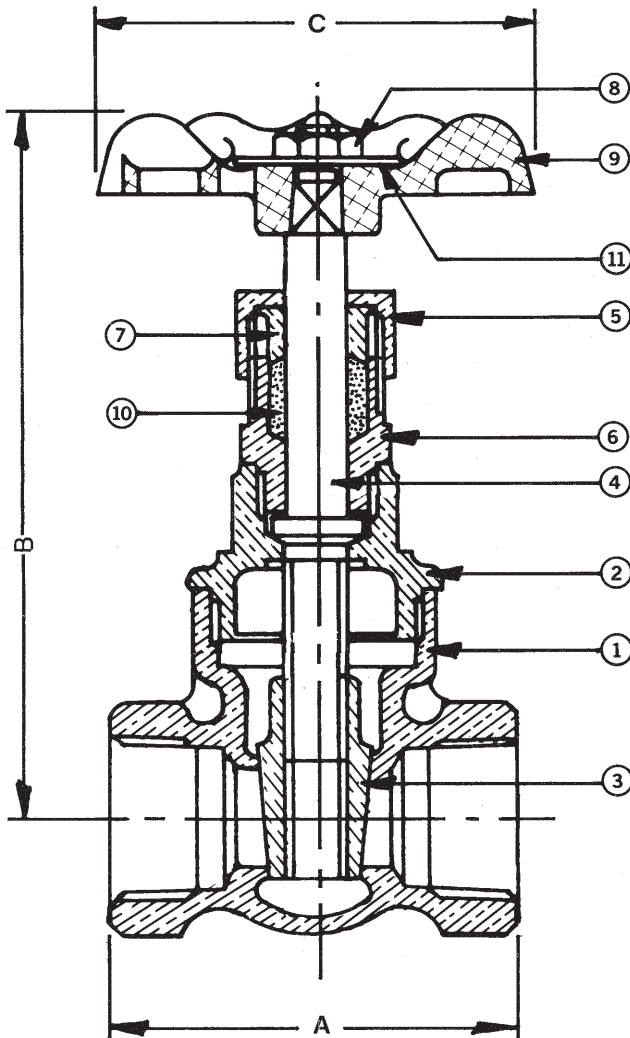


# 105 1/4"-4"

**Bronze Gate Valve**  
**125 SWP-200 WOG †**  
**Non-Rising Stem 1/4" - 3" • Rising Stem 4"**  
**Solid Wedge Disc**  
**Threaded Bonnet • Threaded Ends**  
**Conforms to: MSS SP-80\***



Note: Not intended for use in potable water.

MATERIAL LIST			
No.	PART	MATERIAL	SPECIFICATION
1	Body	Bronze	ASTM B62
2	Bonnet	Bronze	ASTM B62
3	Wedge	Bronze	ASTM B62
4	Stem	Bronze	ASTM B62
5	Packing Nut	Brass	ASTM B283 C37700
6	Stuffing Box	Brass	ASTM B283 C37700
7 <sup>1</sup>	Gland	Brass	ASTM B283 C37700
8	Handwheel Nut	Brass	Commercial
9	Handwheel	Mall. Iron	Commercial
10	Packing	Graphite	Commercial
11	Name Plate	Sh. Alum	Commercial

<sup>1</sup> Not used on 1/2" and smaller

DIMENSIONS - INCHES/MILLIMETERS					
Units	Size	A	B	C	C <sub>v</sub>
Inches	1/4	1.75	3.63	2.00	5.6
mm		45	92	51	
Inches	3/8	1.81	3.63	2.00	10.7
mm		46	92	51	
Inches	1/2	2.00	3.63	2.00	17.6
mm		51	92	51	
Inches	3/4	2.13	4.38	2.50	32.0
mm		54	111	64	
Inches	1	2.56	5.00	2.75	54.0
mm		65	127	70	
Inches	1 1/4	2.78	5.31	3.13	97.0
mm		71	135	79	
Inches	1 1/2	2.81	6.34	3.50	135.0
mm		72	161	89	
Inches	2	3.31	7.44	3.75	230.0
mm		84	189	95	
Inches	2 1/2	4.19	9.13	4.75	337.0
mm		106	232	121	
Inches	3	4.63	10.47	5.25	536.0
mm		118	266	133	
Inches	4	5.50	15.50	5.25	960.0
mm		140	394	133	

† Non-Shock

\* 4" is not covered in MSS SP-80

**INNOVATION** IN EVERY VALVE



The information presented on this sheet is correct at the time of publication. Milwaukee Valve reserves the right to change design, and/or material specifications without notice. For the Installation, Operation and Maintenance Manual (IOM) see the Technical/Service Information section on our website. For the most current information access [www.milwaukeevalve.com](http://www.milwaukeevalve.com)

**MILWAUKEE VALVE**