

DN	L	W	d	G	C	D	t	n-d1	T	H(open)	H(close)
2"	203	200	51	92	120.5	152	15.9	4-#19	8.7	338	317
2-1/2"	216	250	64	105	139.5	178	17.6	4-#19	9.5	373	348
3"	241	250	76	127	152.5	190	19.1	4-#19	10.3	396	368
4"	292	250	102	157	190.5	229	23.9	8-#19	11.1	467	430
5"	356	350	127	186	216	254	23.9	8-#22	11.5	497	454
6"	406	350	152	216	241.5	279	25.4	8-#22	11.9	524	473
8"	495	400	203	270	298.5	343	28.5	8-#22	12.7	588	525

NOTES:

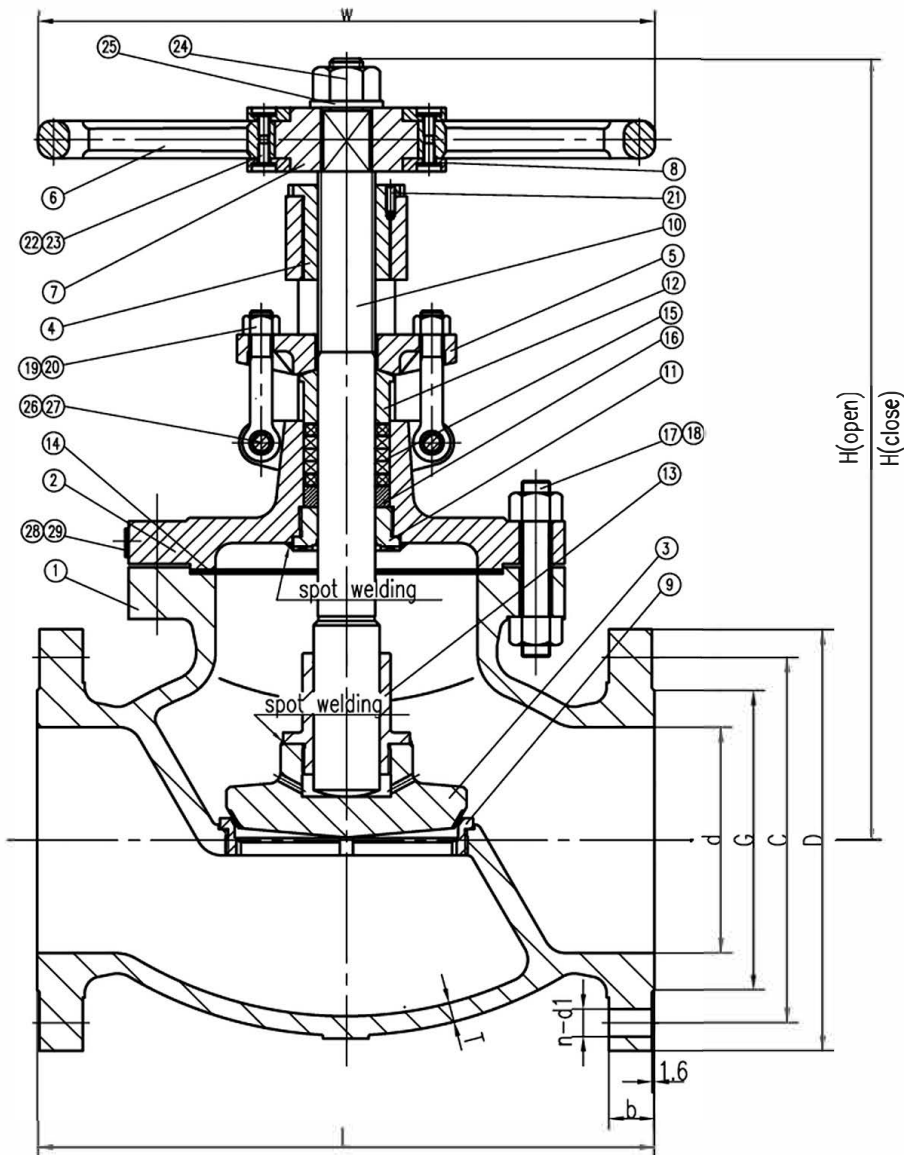
1. The valve is designed in accordance with BS1873.
2. The inspection and test of the valve shall be in accordance with API 598 and ABS test requirements.
3. The painting, protection and marking of the valve shall be in accordance with MSS SP-25.

No.	PART NAME	QTY	MATERIAL	REMARK
25	NAME PLATE	1	S.S.	
24	RIVET	2	CARBON STEEL	
23	SPLIT PIN	2	CARBON STEEL	
22	PIN	2	CARBON STEEL	
21	SCREW	1	CARBON STEEL	
20	WASHER	1	CARBON STEEL	
19	NUT	1	CARBON STEEL	
18	NUT	2	ASTM A194-2H	
17	EYE BOLT	2	ASTM A193-B7	
16	NUT	1	ASTM A194-2H	
15	STUD	1	ASTM A193-B7	
14	SPACER RING	1	HPb59-1	
13	PACKING	5	GRAPHITE	
12	GASKET	1	SPIRAL WOUND GRAPHITE	
11	DISC NUT	1	ASTM B505 C95400	
10	GLAND	1	ASTM A276-420	
9	BACK SEAT	1	ASTM B505 C95400	
8	STEM	1	ASTM B505 C95400	
7	SEAT RING	1	ASTM A105N+B150 C62400	
6	HANDWHEEL	1	DUCTILE IRON	
5	GLAND FLANGE	1	ASTM A216-WCB	
4	STEM NUT	1	ASTM A439 D-2	
3	DISC	1	ASTM A105N+B150 C62400	
2	BONNET	1	ASTM A216-WCB	
1	BODY	1	ASTM A216-WCB	

No.	PART NAME	QTY	MATERIAL	REMARK
Stan.	BS1873	Shell Test	3.2 MPa	Draft
Class	150LB	Seat Test (Hyd.)	2.3 MPa	Check
Size	2~8"	Seat Test (Air)	0.6 MPa	Appr.
Weight		Scale		Man. Fig. GL1RA121-SC-A
Type	CAST STEEL SC GLOBE VALVE			
Space Figure Number:	15031B-SC			

SPACE VALVE





DN	L	W	d	G	C	D	t	n-d1	T	H(open)	H(close)
10"	622	500	254	324	462	406	30.3	12-Ø25	13.5	738	662
12"	698	560	305	381	432	483	31.8	12-Ø25	15.9	862	772

NOTES:

1. The valve is designed in accordance with BS1873.
2. The inspection and test of the valve shall be in accordance with API 598 and ABS test requirements.
3. The painting, protection and marking of the valve shall be in accordance with MSS SP-25.

No.	PART NAME	QTY	MATERIAL	REMARK
29	NAME PLATE	1	S.S.	
28	RIVET	2	CARBON STEEL	
27	SPLIT PIN	2	CARBON STEEL	
26	PIN	2	CARBON STEEL	
25	WASHER	1	CARBON STEEL	
24	NUT	1	CARBON STEEL	
23	WASHER		CARBON STEEL	
22	SCREW		CARBON STEEL	
21	SCREW	1	CARBON STEEL	
20	NUT	2	ASTM A194-2H	
19	EYE BOLT	2	ASTM A193-B7	
18	NUT		ASTM A194-2H	
17	STUD		ASTM A193-B7	
16	SPACER RING	1	HPb59-1	
15	PACKING	5	GRAPHITE	
14	GASKET	1	SPIRAL WOUND GRAPHITE	
13	DISC NUT	1	ASTM B505 C95400	
12	GLAND	1	ASTM A276-420	
11	BACK SEAT	1	ASTM B505 C95400	
10	STEM	1	ASTM B505 C95400	
9	SEAT RING	1	ASTM A105N+B150 C62400	
8	RETAIN PLATE	2	CARBON STEEL	
7	IMPACT BLOCK	1	CARBON STEEL	
6	HANDWHEEL	1	ASTM A216-WCB	
5	GLAND FLANGE	1	ASTM A216-WCB	
4	STEM NUT	1	ASTM A439 D-2	
3	DISC	1	ASTM A105N+B150 C62400	
2	BONNET	1	ASTM A216-WCB	
1	BODY	1	ASTM A216-WCB	

No.	PART NAME	QTY	MATERIAL	REMARK
Stan.	BS1873	Shell Test	3.2 MPa	Draft
Class	150LB	Seat Test (Hyd.)	2.3 MPa	Check
Size	10~12"	Seat Test (Air)	0.6 MPa	Appr.
Weight		Scale		Man. Fig. GL1RA121-SC-A
Type	CAST STEEL SC GLOBE VALVE		SPACE VALVE	
Space Figure Number:	15031B-SC			

