

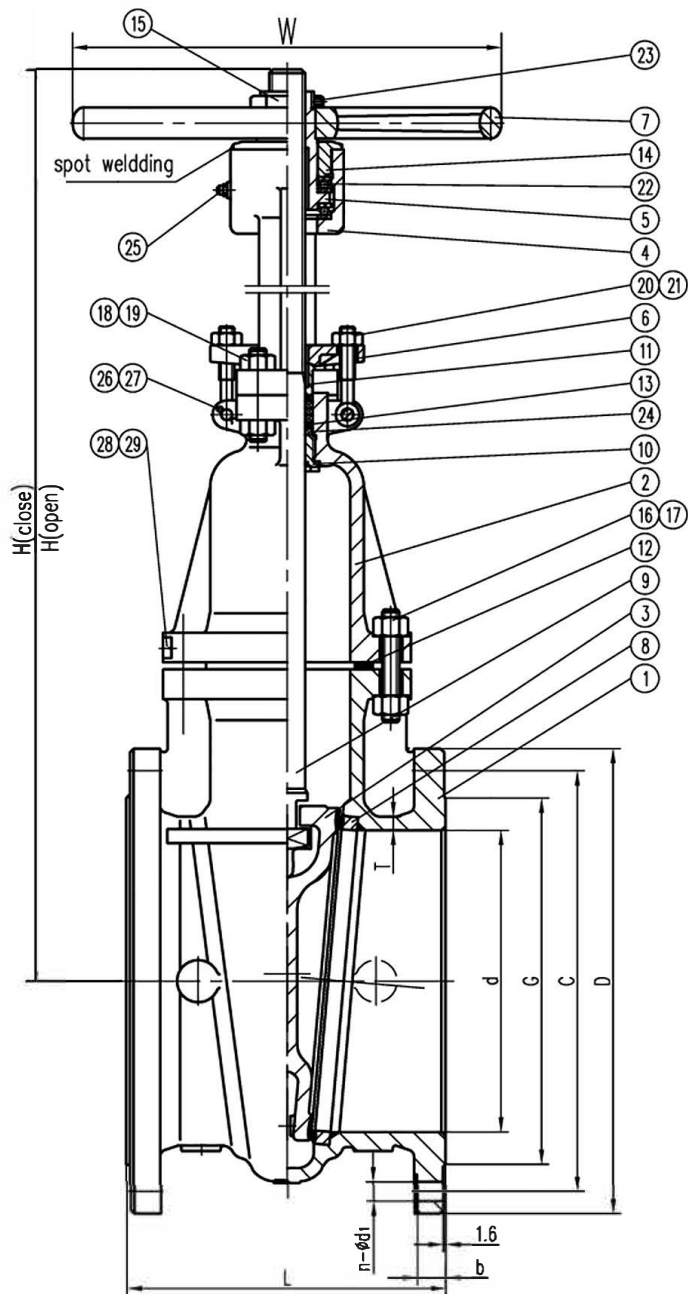
mm												
DN	L	W	d	G	C	D	T	b	n-d1	H(open)	H(close)	Weight(Kg)
2"	178	200	51	92	120.5	152	8.6	15.9	4-19	387	327	20
2-1/2"	190	200	64	105	139.5	178	9.5	17.6	4-19	435	360	30
3"	203	250	76	127	152.5	190	10.4	19.1	4-19	481	394	36
3-1/2"	216	250	89	140	178	216	10.8	20.6	8-19	601	491	45
4"	229	250	102	157	190.5	229	11.2	23.9	8-19	585	471	53
5"	254	300	127	186	216	254	11.5	23.9	8-22	681	541	71
6"	267	300	152	216	241.5	279	11.9	25.4	8-22	765	601	85
8"	292	350	203	270	298.5	343	12.7	28.3	8-22	956	738	136
10"	330	400	254	324	362	406	14.2	30.3	12-25	1149	879	220
12"	356	450	305	381	432	483	16.0	31.8	12-25	1350.5	1028	323

NOTES:

1. The valve is designed in accordance with API 600.
2. The inspection and test of the valve shall be in accordance with API 598.
3. The painting, protection and marking of the valve shall be in accordance with MSS SP-25.

25	SPACER RING	1	HPb59-1	
24	NAME PLATE	1	S.S.	
23	SCREW	1	CARBON STEEL	
22	SPLIT PIN	2	CARBON STEEL	
21	PIN	2	CARBON STEEL	
20	RIVET	2	S.S.	
19	GREASE FITTING	1	CARBON STEEL	
18	NUT	2	ASTM A194-2H	
17	EYE BOLT	2	ASTM A193-B7	
16	NUT		ASTM A194-2H	
15	STUD		ASTM A193-B7	
14	HANDWHEEL NUT	1	CARBON STEEL	
13	RETAINING NUT	1	CARBON STEEL	
12	PACKING	5	GRAPHITE	
11	GASKET	1	REINFORCED GRAPHITE	
10	GLAND	1	ASTM A276-420	
9	BACK SEAT	1	ASTM B505 C95400	
8	STEM	1	ASTM B505 C95400	
7	SEAT RING	2	ASTM A105N+B150 C62400	
6	HANDWHEEL	1	DUCTILE IRON	
5	GLAND FLANGE	1	ASTM A216-WCB	
4	STEM NUT	1	ASTM A439 D-2	
3	WEDGE	1	ASTM WCB+B150 C62400	
2	BONNET	1	ASTM A216-WCB	Round Body-Bonnet Joint Flange For 2"
1	BODY	1	ASTM A216-WCB	
No.	PART NAME	QTY	MATERIAL	REMARK

Stan.	API 600	Shell Test	3.2 MPa	Draft	
Class	150LB	Seat Test (Hyd.)	2.3 MPa	Check	
Size	2~12"	Seat Test (Air)	0.6 MPa	Appr.	
Weight		Scale		Man. Fig.	G1RA121
Type	CAST STEEL GATE VALVE		SPACE VALVE		
Space Figure Number: 15011B					



													mm	
DN	L	W	d	G	C	D	T	b	n-d ₁	H(close)	H(open)	Weight(Kg)		
14"	381	500	337	413	476	533	16.8	35.1	12-29	1151	1508	387		
16"	406	550	387	470	539.5	597	17.5	36.6	16-29	1295	1703	553		
18"	432	600	438	533	578	635	18.3	39.7	16-32	1430	1892	660		
20"	457	680	489	584	635	698	19.1	43	20-32	1604	2114	810		
24"	508	760	591	692	749.5	813	20.6	47.8	20-35	1878	2500	1250		

NOTES:

1. The valve is designed in accordance with API 600.
2. The inspection and test of the valve shall be in accordance with API 598.
3. The pointing, protection and marking of the valve shall be in accordance with MSS SP-25.

29	NAME PLATE	1	S.S.	
28	RIVET	2	S.S.	
27	SPLIT PIN	2	CARBON STEEL	
26	PIN	2	CARBON STEEL	
25	GREASE FITTING	1	CARBON STEEL	
24	SPACER RING	1	HPb59-1	
23	SCREW	1	CARBON STEEL	
22	THRUST BEARING	2		
21	NUT	2	ASTM A194-2H	
20	EYE BOLT	2	ASTM A193-B7	
19	NUT	8	ASTM A194-2H	
18	STUD	4	ASTM A193-B7	
17	NUT		ASTM A194-2H	
16	STUD		ASTM A193-B7	
15	HANDWHEEL NUT	1	CARBON STEEL	
14	RETAINING NUT	1	CARBON STEEL	
13	PACKING	5	GRAPHITE	
12	GASKET	1	REINFORCED GRAPHITE	
11	GLAND	1	ASTM A276-420	
10	BACK SEAT	1	ASTM B505 C95400	
9	STEM	1	ASTM B505 C95400	
8	SEAT RING	2	ASTM A105N+B150 C62400	
7	HANDWHEEL	1	DUCTILE IRON	
6	GLAND FLANGE	1	ASTM A216-WCB	
5	STEM NUT	1	ASTM A439 D-2	
4	YOKE	1	ASTM A216-WCB	
3	WEDGE	1	ASTM WCB+B150 C62400	
2	BONNET	1	ASTM A216-WCB	
1	BODY	1	ASTM A216-WCB	

No.	PART NAME	QTY	MATERIAL	REMARK
Stan.	API 600	Shell Test	3.2 MPa	Draft
Class	150LB	Seat Test (Hyd.)	2.3 MPa	Check
Size	14"~24"	Seat Test (Air)	0.6 MPa	Appr.
Weight		Scale		Man. Fig. G1RA121
Type	CAST STEEL GATE VALVE		SPACE VALVE	
Space Figure Number: 15011B				

